

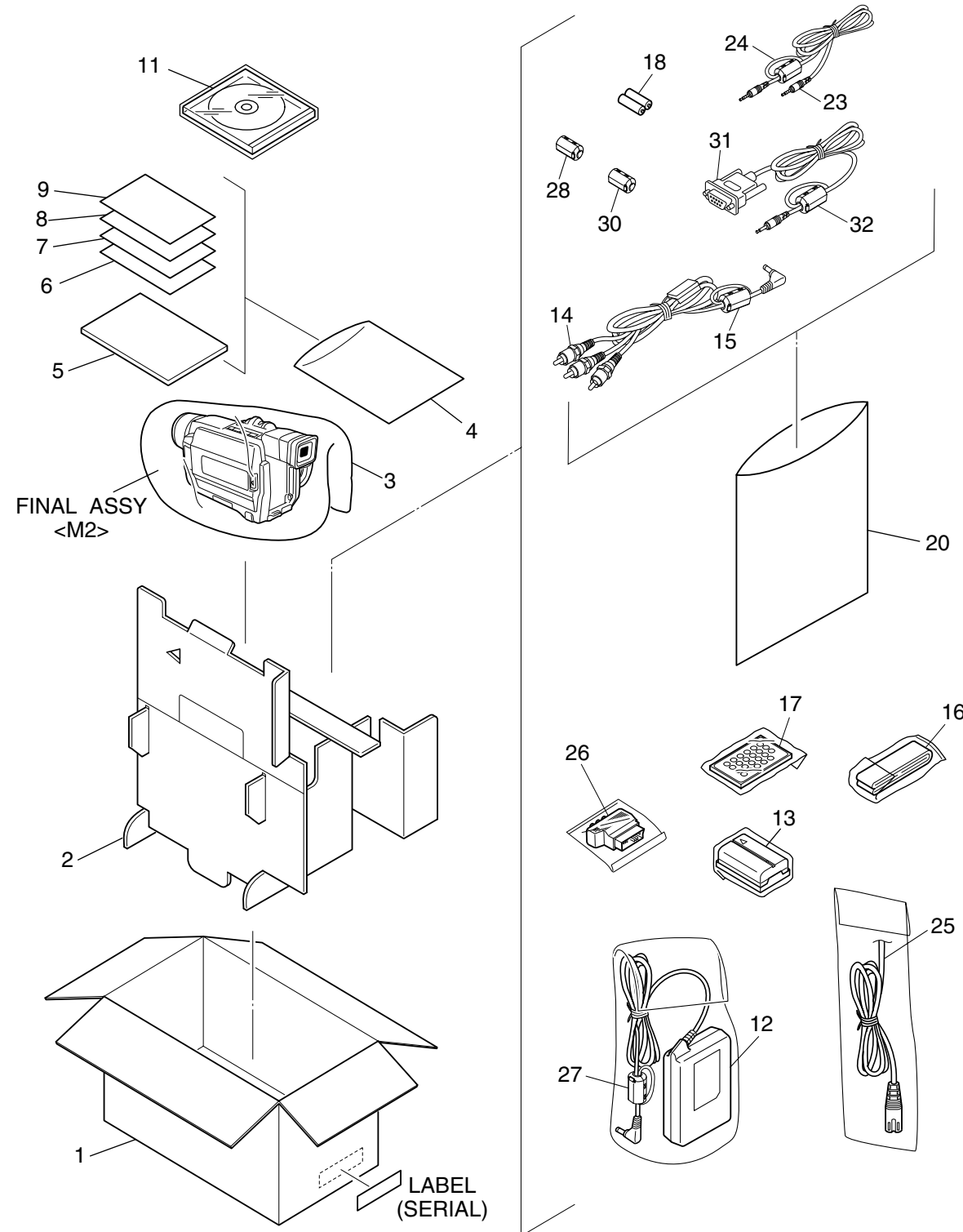
SECTION 5 PARTS LIST

SAFETY PRECAUTION

Parts identified by the symbol are critical for safety. Replace only with specified part numbers.

5.1 PACKING AND ACCESSORY ASSEMBLY <M1>

The instruction manual to be provided with this product will differ according to the destination.



REF No. PART No. PART NAME, DESCRIPTION

PACKING AND ACCESSORY ASSEMBLY <M1>

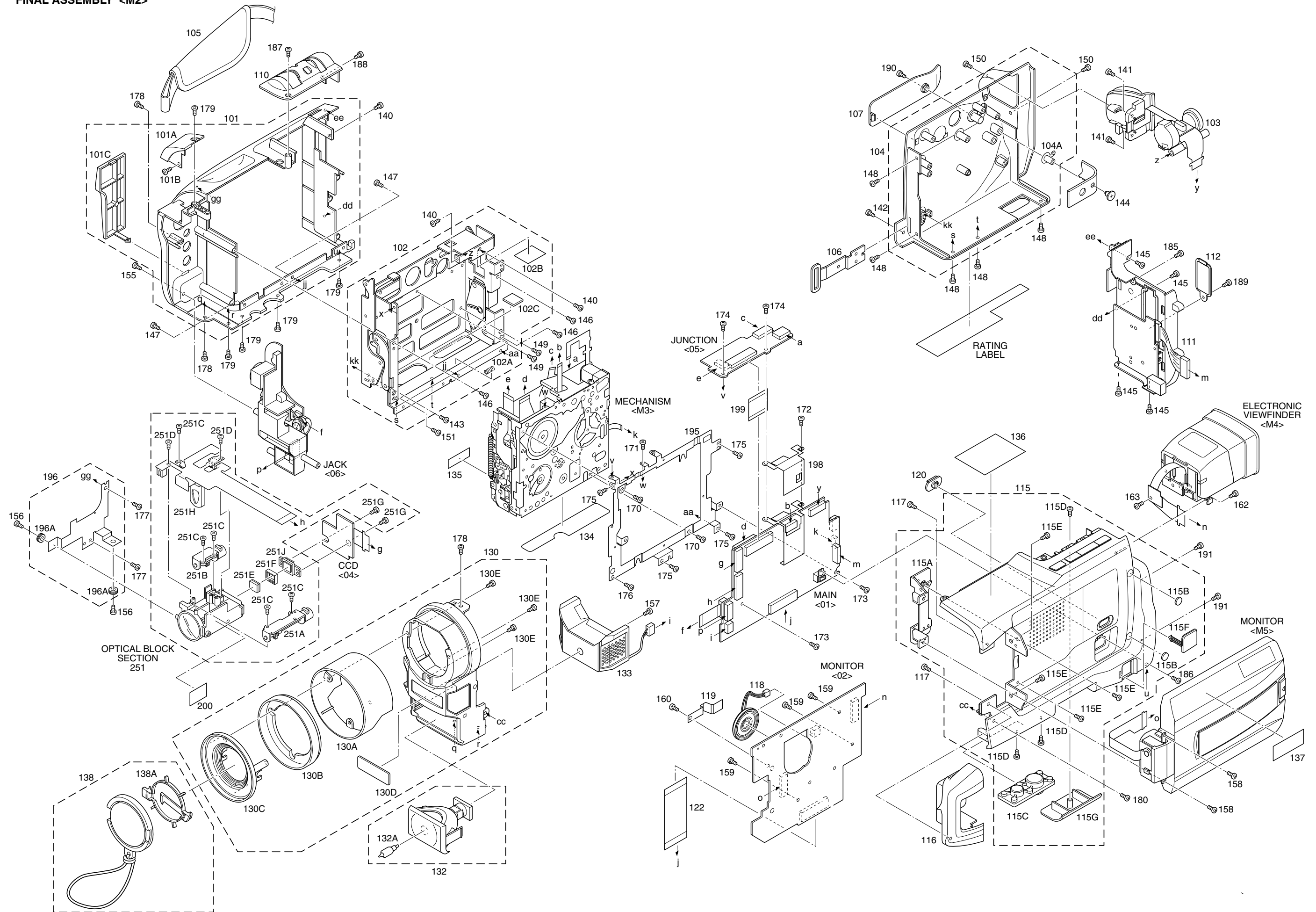
1	LY32095-002A	PACKING CASE,C
	LY32095-003A	PACKING CASE,A,B
2	LY32096-001A	CUSHION
3	LY30023-008A	POLY BAG
4	QPA02003006	POLY BAG,A,C
	YQM30061-3	POLY BAG,B
	LYT0728-001A	INST.BOOK(EN),B
	LYT0727-002B	INST.BOOK(GE),A,C
	LYT0727-003B	INST.BOOK(FR),A,C
	LYT0727-004A	INST.BOOK(DU),A,C
	LYT0727-005B	INST.BOOK(SP),A,C
	LYT0727-006A	INST.BOOK(IT),A,C
	LYT0727-007A	INST.BOOK(DA),A,C
	LYT0727-008A	INST.BOOK(FI),A,C
	LYT0727-009A	INST.BOOK(SW),A,C
	LYT0727-010A	INST.BOOK(NO),A,C
	LYT0727-011A	INST.BOOK(RU),A,C
	LYT0727-012A	INST.BOOK(CZ),A,C
	LYT0727-013A	INST.BOOK(PO),A,C
	LYT0727-014A	INST.BOOK(HU),A,C
	LYT0737-001A	INST.BOOK(SOFT.5LANG),C
	LYT0737-002A	INST.BOOK(SOFT.5LANG),C
	LYT0737-003A	INST.BOOK(SOFT.RU),C
7	LYT0378-003A	SHEET(AGREMENT),C
8	LYT0194-001B	Q.CARD(JUK),B
9	BT-54008-2	GUARANTY CARD,B
	BT-54013-2	WARRANTY CARD,A,C
11	LY32210-002B	CD ROM,C
	LY20688-013A	AC ADAPTER,AP-V10EG
	LY31587-001A	BATTERY PACK,BN-V408U
14	QAM0212-001	CABLE ASSY,AUDIO/VIDEO CABLE
15	QQR0918-002	CORE FILTER
16	LY20186-001A	SHOULDER STRAP
17	LY20750-001A	REMOTE CONTROL UNIT,RM-V717U
18	—	BATTERY,AAA(R03),X2
20	QPA01703005	POLY BAG
23	PEAC0428-150	CABLE ASSY,A,B
	QAM0214-001	RM CABLE,C
24	QQR0491-002	CORE FILTER
	QMPL120-190-JR	POWER CORD,A,C
	QMPP110-190-JR	POWER CORD,B
26	QAM0302-001	ADAPTOR PLUG
27	QQR0490-002	CORE FILTER
28	QQR0918-002	CORE FILTER,A,B
30	QQR0491-002	CORE FILTER
31	QAM0084-001	PC CABLE,C
32	QQR0491-002	CORE FILTER,C

• INSTRUCTIONS

EN ENGLISH
 GE GERMAN
 FR FRENCH
 DU DUTCH
 SP SPANISH
 IT ITALIAN
 DA DANISH
 FI FINNISH
 SW SWEDISH
 NO NORWEGIAN
 RU RUSSIAN
 CZ CZECH
 PO POLISH
 HU HUNGARIAN

MODEL	MARK
GR-DVL150EG	A
GR-DVL150EK	B
GR-DVL450EG	C

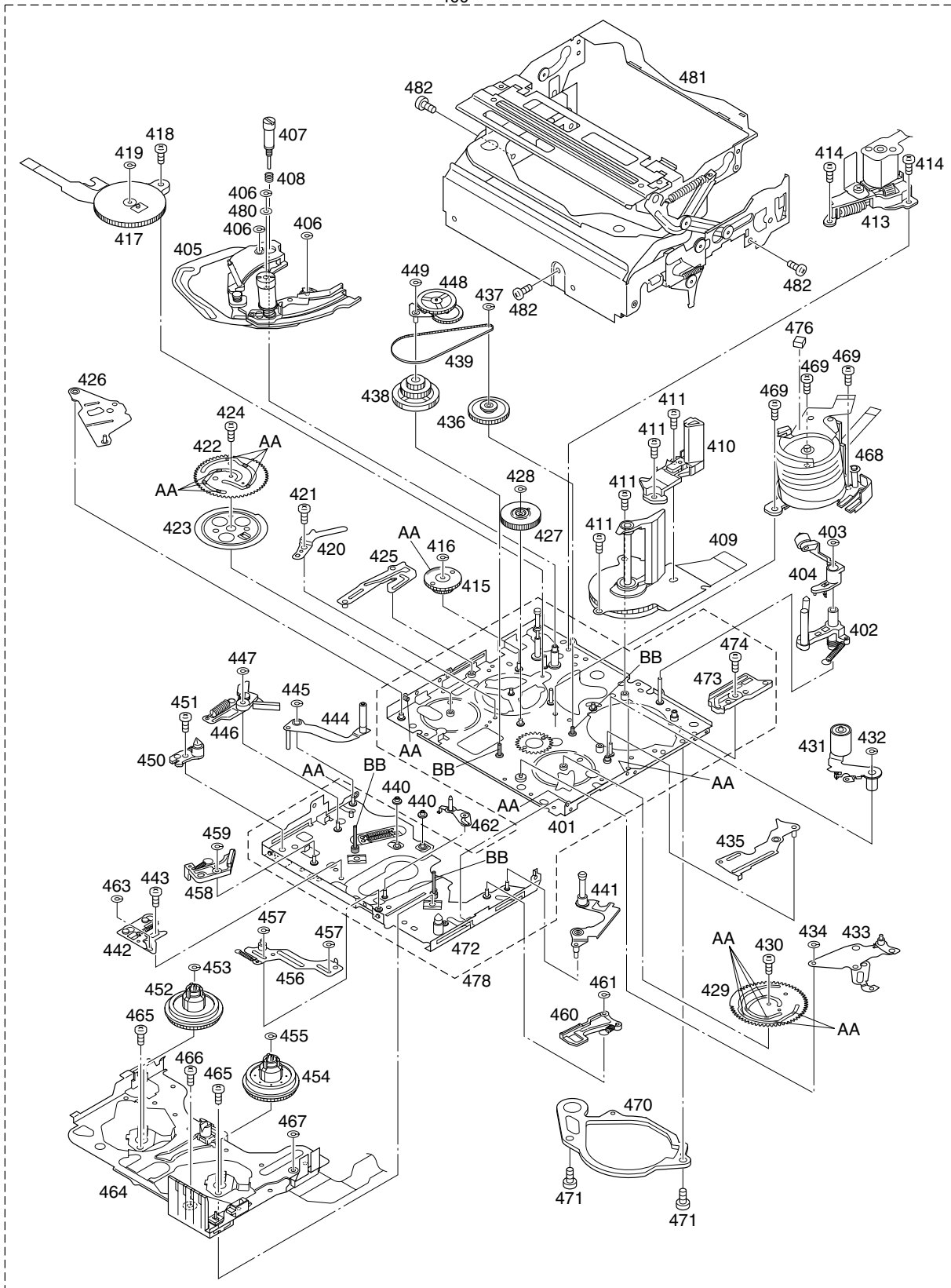
5.2 FINAL ASSEMBLY <M2>



#	△	REF No.	PART No.	PART NAME, DESCRIPTION	#	△	REF No.	PART No.	PART NAME, DESCRIPTION
*****					151			LY30018-023A	SPECIAL SCREW
FINAL ASSEMBLY <M2>					155			LY30018-084A	SPECIAL SCREW
101			LY20706-001C	LOWER CASE ASSY	156			LY30019-029B	SPECIAL SCREW,X2
101A			LY32098-001A	WINDOW(IR)	157			LY30018-023A	SPECIAL SCREW
101B			LY30018-063A	SPECIAL SCREW	158			LY30018-0D6A	SPECIAL SCREW,X2
101C			LY32099-001C	COVER(JACK)	159			LY30018-023A	SPECIAL SCREW,X3
102			LY20697-001B	ARM ASSY	160			LY30018-006B	SPECIAL SCREW
102A			LY30001-023A	TENSION SPRING	162			LY30018-063A	SPECIAL SCREW
102B			LY30029-0C7A	SPACER(A)	163			LY30018-064A	SPECIAL SCREW
102C			LY30029-0E9A	SPACER(A)	170			LY30019-026A	SPECIAL SCREW,X2
103			LY20693-001A	ZOOM UNIT	171			YQ43893-4	MINI SCREW
104			LY20704-001A	CASSETTE COVER ASSY	172			YQ43893-4	MINI SCREW
104A			LY40592-001A	CAP(GRIP BELT)	173			LY30019-033A	SPECIAL SCREW,X2
105			LY20575-004B	GRIP BELT	174			QYSPSPT1730Z	SCREW,X2
106			LY42891-001A	HOOK(GRIP)	175			LY30018-066A	SPECIAL SCREW,X4
107			LY32092-013A	COVER(AJUST)	176			LY30018-084A	SPECIAL SCREW
110			LY32093-001A	COVER(ZOOM)ASSY	177			LY30018-084A	SPECIAL SCREW,X2
111			LY20725-001A	REAR UNIT	178			LY30018-084A	SPECIAL SCREW,X3
112			LY41691-001A	COVER(JIG)	179			LY30018-084A	SPECIAL SCREW,X5
115			LY20707-003C	UPPER CASE(2.5)ASSY,A,B	180			LY30018-092A	SPECIAL SCREW
			LY20717-003C	UPPER CASE3/3.5ASSY,C	185			LY30018-065A	SPECIAL SCREW
115A			LY32101-001A	BRACKET	186			LY30018-006B	SPECIAL SCREW
115B			LY40664-001A	SPACER,X2	187			LY30018-092A	SPECIAL SCREW
115C			LY31019-001A	BASE	188			LY30018-065A	SPECIAL SCREW
115D			LY30018-084A	SPECIAL SCREW,X3	189			LY30018-037A	SPECIAL SCREW
115E			LY30018-0A8A	SPECIAL SCREW,X4	190			LY30018-037A	SPECIAL SCREW
115F			LY42866-001A	CAP(DC JACK)	191			LY30018-084A	SPECIAL SCREW,X2
115G			LY32110-001A	COVER	195			LY20696-001A	BRACKET(MECHA)
116			LY32106-001A	COVER(HINGE)	196			LY42846-001C	BRACKET(OP) ASSY
117			LY30018-084A	SPECIAL SCREW,X2	196A			LY42796-001A	BUSH,X2
118			QAS0048-001	SPEAKER	198			LY32081-001A	SHIELD PLATE
119			LY42167-001A	PLATE(SPK)	199			WJT0044-001A	E-CARD WIRE,MAIN CN113-JUNC CN571
120			LY42919-001A	KNOB(SLIDE)	200			LY43092-001A	PLATE
122			QUQ105-4007AA	FFC WIRE,MAIN CN101-MONI CN761	- OPTICAL BLOCK SECTION -				
△ 130			LY20711-003A	FRONT COVER ASSY	251			J7A-233A	OPTICAL BLOCK ASSY
130A			LY32111-002A	HOOD	251A			LY30723-001B	ZOOM MOTOR
130B			LY32112-001A	RING	251B			LY30724-001B	FOCUS MOTOR
130C			LY32113-001A	HOOD(SCREW)	251C			LY30727-002A	SCREW,X5
130D			LY42953-001A	MARK	251D			LY30727-001A	SCREW,X2
130E			LY30018-052A	SPECIAL SCREW,X3	251E			LY42936-001A	OPTICAL LPF
132			LY31617-002A	DC LIGHT ASSY	251F			LY31639-001A	SPACER RUBBER
132A			YQ44266	LAMP	251G			QYSPSGU1750Z	SCREW,X2
133			LY32114-001A	MICROPHONE	251H			LY32160-001A	IRIS MOTOR
134			LY40698-002A	LABEL(HOUSING)	251J			YS40168F	CCD BASE ASSY
135			LY40699-002A	LABEL(PUSH)					
136			LY43093-003A	STICKER(TOP),A,B					
			LY43093-011A	STICKER(TOP),C					
137			LY43094-002A	STICKER(SIDE)					
138			LY42182-002A	CAP(HOOD)ASSY					
138A			LY31627-001A	SPRING					
140			LY30018-084A	SPECIAL SCREW,X3					
141			LY30018-096A	SPECIAL SCREW,X2					
142			LY30018-038A	SPECIAL SCREW					
143			LY30018-084A	SPECIAL SCREW					
144			LY30018-0D1A	SPECIAL SCREW					
145			LY30018-084A	SPECIAL SCREW,X4					
146			LY30018-084A	SPECIAL SCREW,X3					
147			LY30018-038A	SPECIAL SCREW,X2					
148			LY30018-038A	SPECIAL SCREW,X5					
149			LY30018-084A	SPECIAL SCREW,X2					
150			LY30018-084A	SPECIAL SCREW,X2					

5.3 MECHANISM ASSEMBLY <M3>

400



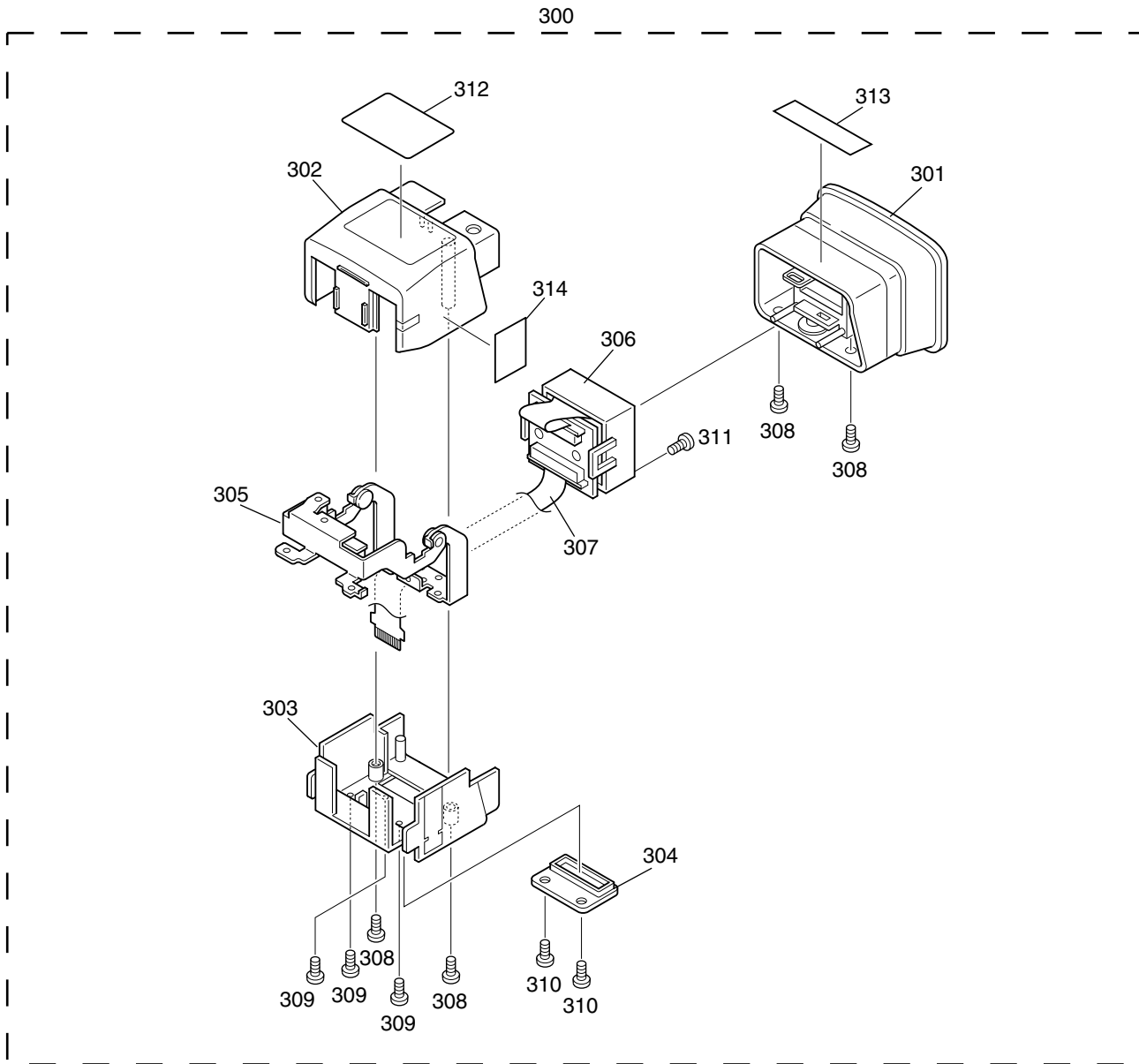
Classification	Part No.	Symbol in drawing
Grease	KYODO-SH-P	AA
Oil	YTU94027	BB

NOTE:The section marked in **AA** and **BB** indicate lubrication and greasing areas.

#	△ REF No.	PART No.	PART NAME, DESCRIPTION	#	△ REF No.	PART No.	PART NAME, DESCRIPTION

MECHANISM ASSEMBLY <M3>							
400		YMA0025H	MECHA(A)ASSY	460		LY40452-001C	SUB BRAKE ASSY
401		LY10077-001M	MAIN DECK ASSY	461		YQ44246	SLIT WASHER
402		LY30436-001G	SLANT POLE ARM ASSY	462		LY30479-001E	RELEASE GUIDE ASSY
403		YQ44246	SLIT WASHER	463		YQ44246	SLIT WASHER
404		LY30438-001B	CLEANER ARM ASSY	464		LY20146-001H	REEL COVER ASSY
405		LY10080-001V	RAIL ASSY	465		YQ43893-4	MINI SCREW,X2
406		YQ44246	SLIT WASHER,X3	466		YQ43893	MINI SCREW
407		LY40353-001D	GUIDE ROLLER(S)ASSY	467		YQ44246	SLIT WASHER
408		LY30002-006C	COMPRESSION SPRING	468		YDV2086K	DRUM ASSY
409		QAR0026-002	CAPSTAN MOTOR	469		YQ43893	MINI SCREW,X3
410		LY30504-001C	CATCHER(T)ASSY	470		LY20138-001D	PWB HOLDER
411		YQ43893	MINI SCREW,X4	471		YQ43893	MINI SCREW,X2
413		LY30448-001H	MOTOR BKT ASSY	472		LY10082-001L	SLIDE DECK ASSY
414		YQ43893	MINI SCREW,X2	473		LY30462-001B	LOADING GUIDE
415		LY30449-001C	WORM WHEEL	474		YQ43893	MINI SCREW
416		YQ44246	SLIT WASHER	476		LY30016-0M1A	SPACER-A
417		LY40496-001C	ROTARY ENCODER	478		LY30496-001W	DECK ASSY
418		YQ43893	MINI SCREW	480		LY41573-001A	WASHER
419		YQ44246	SLIT WASHER	481		LY30483-001Q	CASSETTE HOUSING ASSY
420		LY40614-001B	GEAR HOLDER	482		YQ43893-4	MINI SCREW,X3
421		YQ43893-6	MINI SCREW				
422		LY30450-001C	MAIN CAM				
423		LY30840-001A	BRAKE CTL PLATE				
424		YQ43893	MINI SCREW				
425		LY40373-001C	TC LEVER ASSY				
426		LY30452-001G	SLIDE LEVER ASSY				
427		LY30454-001A	CONNECT GEAR				
428		YQ44246	SLIT WASHER				
429		LY30455-001B	SUB CAM				
430		YQ43893	MINI SCREW				
431		LY30456-001F	PINCHROLLER ARM ASSY				
432		YQ44246	SLIT WASHER				
433		LY30459-001A	CHARGE ARM ASSY				
434		YQ44246	SLIT WASHER				
435		LY40387-001D	BC LEVER ASSY				
436		LY40389-001D	REEL DRIVE PULLEY ASSY				
437		YQ44246-2	SLIT WASHER				
438		LY40391-002B	CENTER GEAR ASSY				
439		LY40396-001A	TIMING BELT				
440		LY40413-001A	COLLAR,X2				
441		LY30468-001E	GUIDE ARM ASSY				
442		LY30618-001C	SLIDE GUIDE PLATE ASSY				
443		YQ43893-2	MINI SCREW				
444		LY40420-001J	TENSION ARM ASSY				
445		YQ44246	SLIT WASHER				
446		LY30471-001D	PAD ARM ASSY				
447		YQ44246	SLIT WASHER				
448		LY40432-001H	IDLER ARM ASSY				
449		YQ44246-2	SLIT WASHER				
450		LY30476-001A	GUIDE PIN(S)				
451		YQ43893	MINI SCREW				
452		LY40441-001B	REEL DISK(SUPPLY)ASSY				
453		YQ44246	SLIT WASHER				
454		LY40443-001B	REEL DISK(TAKE-UP)ASSY				
455		YQ44246	SLIT WASHER				
456		LY30477-001F	CTL PLATE ASSY				
457		YQ44246	SLIT WASHER,X2				
458		LY40444-001E	LOADING BRAKE ASSY				
459		YQ44246	SLIT WASHER				

5.4 ELECTRONIC VIEWFINDER ASSEMBLY <M4> [GR-DVL450EG]



Δ REF No. PART No. PART NAME, DESCRIPTION

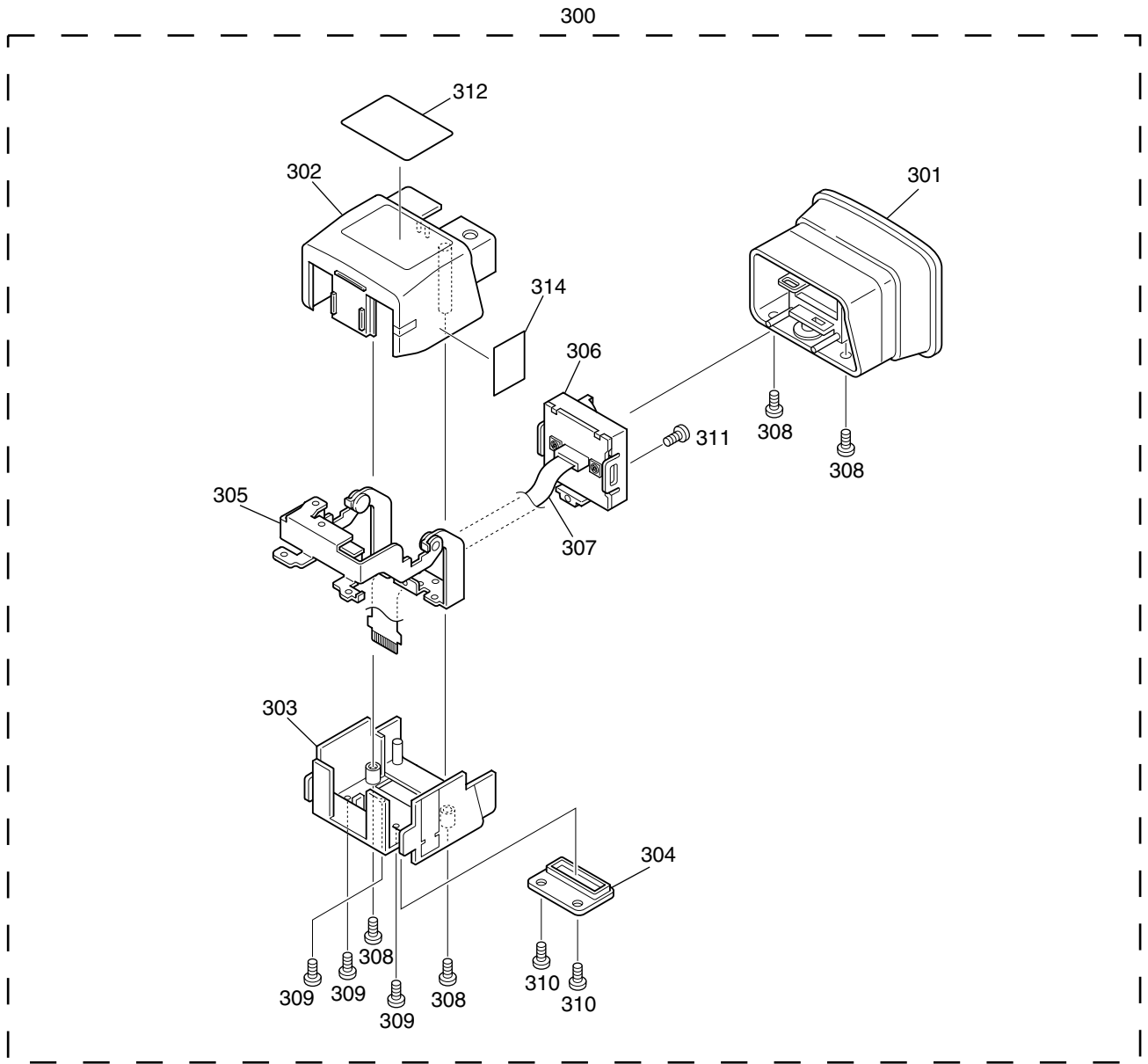
ELECTRONIC VIEWFINDER ASSEMBLY <M4>

300	LY20712-002B	VF ASSY
301	PTY20712-001	EYE PIECE ASSY
302	PTY20712-011	TOP CASE SUB ASSY
303	PTY20712-021	BOTTOM CASE
304	PTY20712-022	CAP(VF)
305	PTY20712-031	HINGE ASSY

Δ REF No. PART No. PART NAME, DESCRIPTION

306	PTY20712-041	LCD ASSY
307	QAL0287-001	FPC
308	LY30018-063A	SPECIAL SCREW,X4
309	LY30018-055A	SPECIAL SCREW,X3
310	LY30018-035A	SPECIAL SCREW,X2
311	PTY20712-051	SCREW
312	LY41701-002A	SHEET(CAUTION)1
313	LY40074-001A	LABEL/COLOR
314	LY43041-002A	LABEL(VF)

5.4 ELECTRONIC VIEWFINDER ASSEMBLY <M4> [GR-DVL150EG/EK]

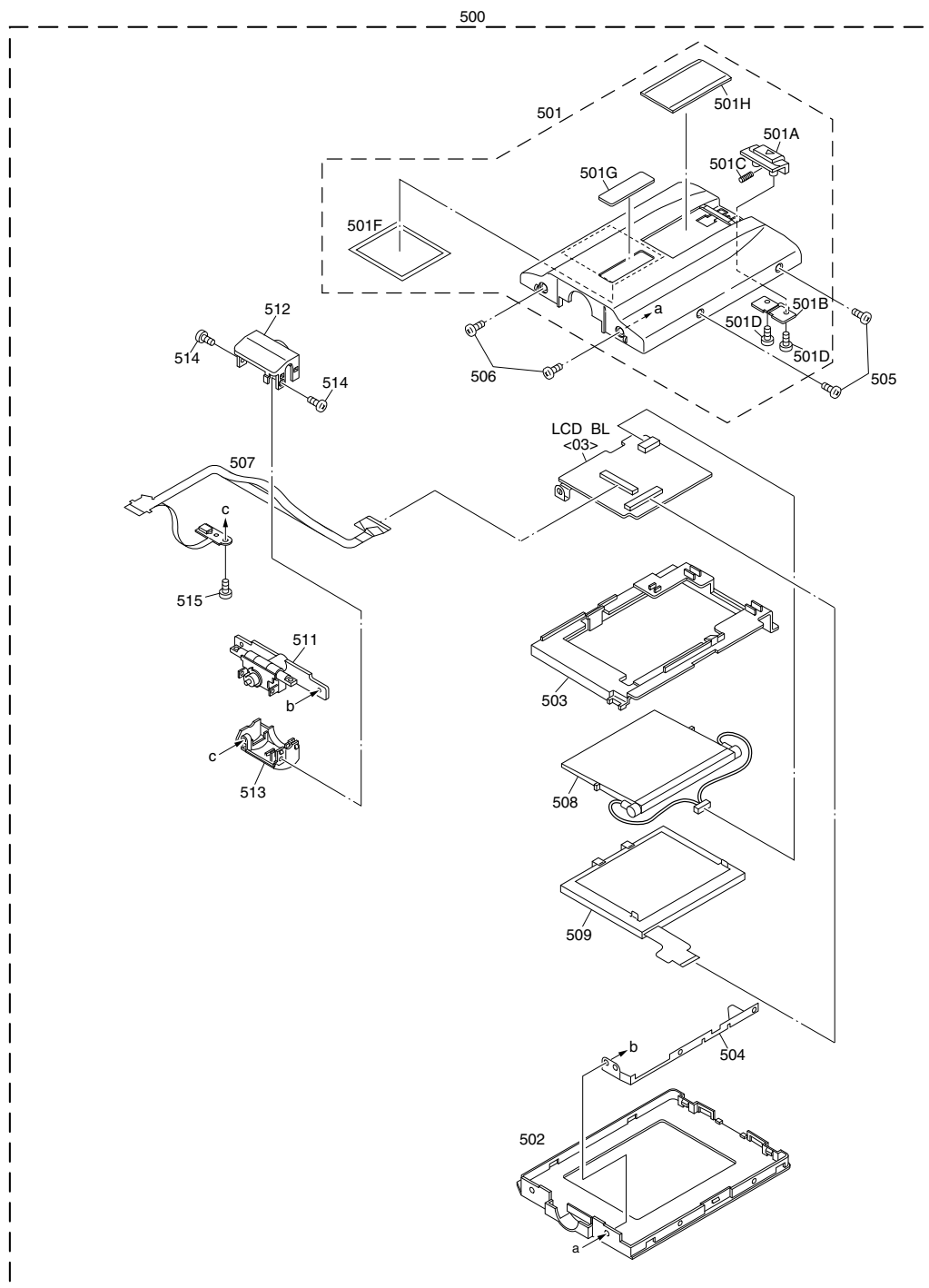


#	△	REF No.	PART No.	PART NAME, DESCRIPTION

ELECTRONIC VIEWFINDER ASSEMBLY <M4>				
300		LY20744-002B		VF UNIT
301		PTY20744-001		EYE PIECE ASSY
302		PTY20712-011		TOP CASE SUB ASSY
303		PTY20712-021		BOTTOM CASE
304		PTY20712-022		CAP(VF)
305		PTY20712-031		HINGE ASSY

#	△	REF No.	PART No.	PART NAME, DESCRIPTION
306		PTY20744-041		LCD ASSY
307		QAL0288-001		FPC
308		LY30018-063A		SPECIAL SCREW,X4
309		LY30018-055A		SPECIAL SCREW,X3
310		LY30018-035A		SPECIAL SCREW,X2
311		PTY20744-051		SCREW
312		LY41701-002A		SHEET(CAUTION)1
314		LY43041-002A		LABEL(VF),A

5.5 MONITOR ASSEMBLY <M5> [GR-DVL150EG/EK]



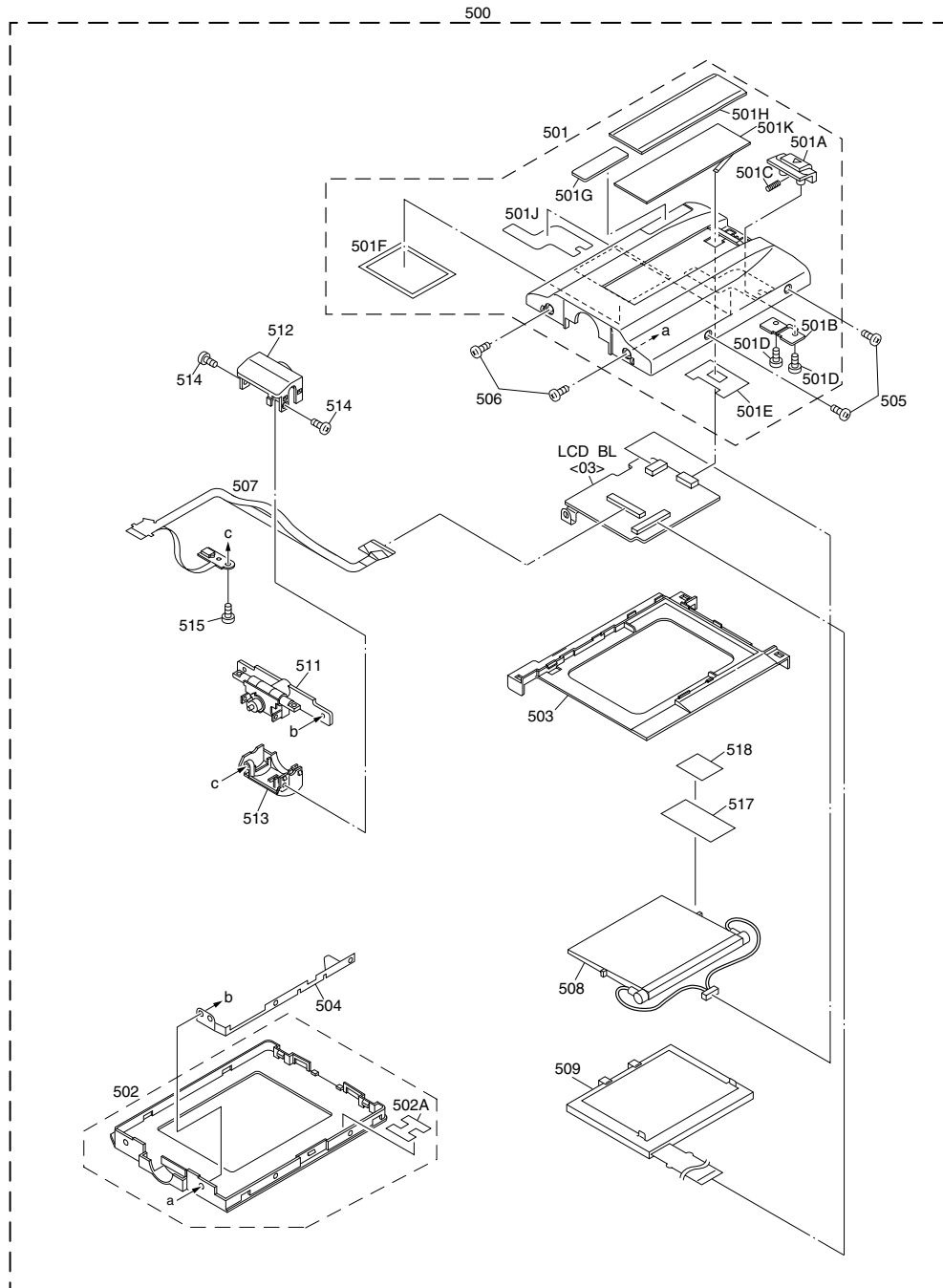
▲ REF No. PART No. PART NAME, DESCRIPTION

MONITOR ASSEMBLY <M5>

# ▲	REF No.	PART No.	PART NAME, DESCRIPTION
▲	500	LYH20246-008B	MONITOR ASSY
▲	501	LY20702-002B	MONITOR COVER(2.5)ASSY
	501A	LY31620-001A	KNOB(LOCK 1)
	501B	LY42180-001A	KNOB(LOCK 2)
	501C	LY30002-044A	COMPRESSION SPRING
	501D	LY30018-084A	SPECIAL SCREW,X2
	501F	LY40559-001A	SHIELD SHEET
	501G	LY42883-001A	MARK
	501H	LY32087-001B	WINDOW

# ▲	REF No.	PART No.	PART NAME, DESCRIPTION
	502	LY10264-001A	MONITOR CASE(2.5)
	503	LY20674-001A	HOLDER(2.5)
	504	LY31622-001A	BRACKET(EARTH)
	505	QYSPSPT1730R	SCREW,X2
	506	QYSLSP2040D	SCREW,X2
	507	LY31743-001A	MONITOR FPC ASSY
	508	QLL0093-001	BACK LIGHT
	509	QLD0154-001	LCD MODULE
	511	LY32079-001A	HINGE ASSY
	512	LY32088-001A	HINGE COVER(1)
	513	LY32089-001A	HINGE COVER(2)
	514	LY30018-058A	SPECIAL SCREW,X2
	515	LY30018-023A	SPECIAL SCREW

5.5 MONITOR ASSEMBLY <M5> [GR-DVL450EG]



REF No. PART No. PART NAME, DESCRIPTION

MONITOR ASSEMBLY <M5>

#	REF No.	PART No.	PART NAME, DESCRIPTION
	500	LYH20246-012A	MONITOR ASSY
	501	LY20721-003A	MONITOR COVER(3.5)ASSY
	501A	LY31620-001A	KNOB(LOCK 1)
	501B	LY42180-001A	KNOB(LOCK 2)
	501C	LY30002-044A	COMPRESSION SPRING
	501D	LY30018-011A	SPECIAL SCREW,X2
	501E	LY42368-001A	SHEET(MON)
	501F	LY40559-001A	SHIELD SHEET
	501G	LY42883-001A	MARK
	501H	LY32121-003A	WINDOW
	501J	LY42386-001A	EARTH MON
	501K	LY42193-001A	EL(WINDOW)

REF No. PART No. PART NAME, DESCRIPTION

	502	LY20598-002A	MONITOR CASE ASSY
	502A	LY42388-001A	EARTH MON(2)
	503	LY20568-001A	HOLDER(3.5PWB)
	504	LY31622-001A	BRACKET(EARTH)
	505	QYSPST1730R	SCREW,X2
	506	QYSLSP2040D	SCREW,X2
	507	LY31743-001A	MONITOR FPC ASSY
	508	QLL0081-001	BACK LIGHT
	509	QLD0096-002	LCD MODULE
	511	LY32079-001A	HINGE ASSY
	512	LY32088-001A	HINGE COVER(1)
	513	LY32089-001A	HINGE COVER(2)
	514	LY30018-058A	SPECIAL SCREW,X2
	515	LY30018-023A	SPECIAL SCREW
	517	LY30029-0A5A	SPACER(A)
	518	PU59915-105	#500SPACER0.01

5.6 ELECTRICAL PARTS LIST

MODEL	MARK
GR-DVL150EG	A
GR-DVL150EK	B
GR-DVL450EG	C

#	△ REF No.	PART No.	PART NAME, DESCRIPTION

MAIN BOARD ASSEMBLY <01>			
		PW	YB10330PA-01 MAIN BOARD ASSY
IC1001		UPD703039F1-A15	IC(MICRO C ROM)
		or UPD70F3040F1A15	IC(MICRO C ROM)
IC1002		RS5C314	IC
IC1003		AT25160N-10SC-X	IC
		or 25LC160-I/SN-X	IC
		or X25170S8I-2.5-X	IC
IC1004		TC75S56FU	IC
IC1005		TC7S00FU	IC
		or SN74AHC1G00K	IC
IC1006		MB90097PFV139	IC(MICRO C ROM)
IC1007		TC74VHC08FT	IC(DIGITAL)
		or SN74LV08APW	IC
IC1009		IC-PST9323U-X	IC
IC1301		SN74LV08APW	IC
		or TC74VHC08FT	IC(DIGITAL)
IC1302		MAX3221CAE	IC
		or ICL3221CA	IC
IC1303		TC7S32FU	IC(DIGITAL)
		or SN74AHC1G32K	IC
IC1304		TC7S02FU	IC(DIGITAL)
		or SN74AHC1G02K	IC
IC1401		YQ44901A	CSP IC ASSY
IC1402		TC7W66FK	IC
IC1404		TC7W14FU	IC(DIGITAL)
		or SN74AHC2G14T	IC
IC1601		BD6630KV	IC
IC2001		AK4560AVQ	IC
IC2301		JCY0137	IC
IC3001		JCY0106-2	IC
IC3002		M51V18165D50TSK	IC(DIGITAL)
IC3005		SN74AHC1G04K	IC
IC3007		TC7SL00FU	IC(DIGITAL)
IC3101		PDI1394P11ABD	IC
IC3201		JCY0107-2	IC
IC3202		TC7SH00FU	IC(DIGITAL)
IC3301		JCY0108	IC
		or JCY0181	IC
IC3501		AN3731FHQ	IC(DIGITAL)
IC3701		BA7665FS	IC
IC4201		HD49326BF	IC
IC4202		MM1385HN	IC
IC4301		JCY0150	IC
IC4302		TMS4C2973-28-X	IC
IC4304		MM1385NN	IC
IC4802		TA75W01FU	IC
IC4803		TA75W01FU	IC
IC4804		UPC358G2/5/-W	IC
IC4806		TC7W00FK	IC
IC4851		UPD16879GS	IC
IC5501		JCY0117	IC
IC6001		S-80842ANNP-W	IC
IC6101		FA3698F	IC
Q1001		DTC124EE	DIGI TRANSISTOR
Q1002		2SC4617/RS/-X	TRANSISTOR
Q1003		DTC143EE	DIGI TRANSISTOR
Q1004		DTA114EE	DIGI TRANSISTOR
		or PDA114EE	DIGI TRANSISTOR
		or RN2102	DIGI TRANSISTOR

#	△ REF No.	PART No.	PART NAME, DESCRIPTION
Q1005		DTC144EE	DIGI TRANSISTOR
		or UN9213J	DIGI TRANSISTOR
		or PDTC144EE	DIGI TRANSISTOR
		or RN1104	DIGI TRANSISTOR
Q1006		DTA114EE	DIGI TRANSISTOR
		or PDA114EE	DIGI TRANSISTOR
		or RN2102	DIGI TRANSISTOR
Q1007		DTC144EE	DIGI TRANSISTOR
		or UN9213J	DIGI TRANSISTOR
		or PDTC144EE	DIGI TRANSISTOR
		or RN1104	DIGI TRANSISTOR
Q1301		2SC4617/RS/-X	TRANSISTOR
Q1401		DTA114EE	DIGI TRANSISTOR
		or PDA114EE	DIGI TRANSISTOR
		or RN2102	DIGI TRANSISTOR
Q1402		UMC3N	DIGI TRANSISTOR
Q1403		UMC3N	DIGI TRANSISTOR
Q1404		DTC144EE	DIGI TRANSISTOR
		or PDTC144EE	DIGI TRANSISTOR
		or RN1104	DIGI TRANSISTOR
		or UN9213J	DIGI TRANSISTOR
Q1601		UMC3N	DIGI TRANSISTOR
Q2001		UMX1N	PAIR TRANSISTOR
Q2002		2SC4617/RS/-X	TRANSISTOR
Q2004		2SC4617/RS/-X	TRANSISTOR
Q3501		2SC4226/4/-X	TRANSISTOR
Q3502		2SD1979/S/-X	TRANSISTOR
Q3503		2SD1979/S/-X	TRANSISTOR
Q3504		2SC4226/4/-X	TRANSISTOR
Q3551		2SA1577/RS/-X	TRANSISTOR
Q3552		DTC144EE	DIGI TRANSISTOR
		or PDTC144EE	DIGI TRANSISTOR
		or UN9213J	DIGI TRANSISTOR
		or RN1104	DIGI TRANSISTOR
Q3701		UMT2N	PAIR TRANSISTOR
Q3702		UMZ1N	PAIR TRANSISTOR
		or PUMZ1	PAIR TRANSISTOR
Q4301		UMT2N	PAIR TRANSISTOR
Q4302		UMT2N	PAIR TRANSISTOR
Q4801		2SC4655/BC/-X	TRANSISTOR
Q4851		2SC4617/RS/-X	TRANSISTOR
Q6001		DTC144EE	DIGI TRANSISTOR
		or PDTC144EE	DIGI TRANSISTOR
		or RN1104	DIGI TRANSISTOR
		or UN9213J	DIGI TRANSISTOR
Q6002		2SK3019	MOS FET
Q6003		2SJ347	MOS FET
Q6004		2SB1121/TU/-X	TRANSISTOR
Q6101		2SK3019	MOS FET
Q6102		2SK3019	MOS FET
Q6201		NDS352AP	MOS FET
Q6202		2SA1577/RS/-X	TRANSISTOR
Q6203		SSM6J07FU	MOS FET
Q6204		CPH3304	MOS FET
Q6205		CPH3101	TRANSISTOR
Q6206		2SC4617/RS/-X	TRANSISTOR
Q6207		2SD1621/TU/-X	TRANSISTOR
Q6208		SSM6J07FU	MOS FET
Q6210		SSM6J07FU	MOS FET
Q6211		NDS352AP	MOS FET
Q6212		HN1C01FU/G/-X	PAIR TRANSISTOR
		or PUMX1	PAIR TRANSISTOR
Q6213		2SA1577/RS/-X	TRANSISTOR

#	△ REF No.	PART No.	PART NAME, DESCRIPTION	#	△ REF No.	PART No.	PART NAME, DESCRIPTION	
		Q6214	DTC144EE or PDTC144EE or RN1104 or UN9213J			R1045	NRSA6AJ-822W	MG RESISTOR 8.2kΩ, 1/16W
		Q6215	HN1A01FU/G/-X or PUMT1			R1046	NRSA6AJ-103W	MG RESISTOR 10kΩ, 1/16W
		Q6216	2SC4617/RS/-X			R1047	NRSA6AJ-473W	MG RESISTOR 47kΩ, 1/16W
		Q6217	UMZ1N			R1048	NRSA6AJ-473W	MG RESISTOR 47kΩ, 1/16W
		Q6701	TPC6102			R1049	NRSA6AJ-393W	MG RESISTOR 39kΩ, 1/16W
		D1001	DA221			R1050	NRSA6AJ-223W	MG RESISTOR 22kΩ, 1/16W
		D1302	RB501V-40-X			R1051	NRSA6AJ-272W	MG RESISTOR 2.7kΩ, 1/16W
		D1602	DAP222			R1052	NRSA6AJ-183W	MG RESISTOR 18kΩ, 1/16W
		D1603	DAP222			R1053	NRSA6AJ-154W	MG RESISTOR 150kΩ, 1/16W
		D1604	DAP222			R1054	NRSA6AJ-473W	MG RESISTOR 47kΩ, 1/16W
		D5501	1SS355			R1055	NRSA6AJ-103W	MG RESISTOR 10kΩ, 1/16W
△		D6002	RB715F			R1056	NRSA6AJ-472W	MG RESISTOR 4.7kΩ, 1/16W
		D6201	EP10LA03			R1057	NRSA6AJ-473W	MG RESISTOR 47kΩ, 1/16W
		D6202	EP10LA03			R1058	NRSA6AJ-222W	MG RESISTOR 2.2kΩ, 1/16W
		D6203	EP10LA03			R1061	NRSA6AJ-104W	MG RESISTOR 100kΩ, 1/16W
		D6204	EP10LA03			R1062	NRSA6AJ-473W	MG RESISTOR 47kΩ, 1/16W
		D6205	EP10LA03			R1080	NRSA6AJ-104W	MG RESISTOR 100kΩ, 1/16W
		D6206	1SS383			R1081	NRSA6AJ-0R0W	MG RESISTOR 0Ω, 1/16W
		D6207	MA8091/L/-X			R1302	NRSA6AJ-472W	MG RESISTOR 4.7kΩ, 1/16W
		D6701	CRS09			R1306	NRSA6AJ-472W	MG RESISTOR 4.7kΩ, 1/16W
		D6702	CRS09			R1401	NRSA6AJ-102W	MG RESISTOR 1kΩ, 1/16W
		R1001	NRSA6AJ-104W			R1402	NRSA6AJ-222W	MG RESISTOR 2.2kΩ, 1/16W
		R1002	NRSA6AJ-224W			R1403	NRSA6AJ-222W	MG RESISTOR 2.2kΩ, 1/16W
		R1003	NRSA6AJ-472W			R1408	NRSA6AJ-472W	MG RESISTOR 4.7kΩ, 1/16W
		R1004	NRSA6AJ-103W			R1409	NRSA6AJ-331W	MG RESISTOR 330Ω, 1/16W
		R1005	NRSA6AJ-153W			R1413	NRSA6AJ-331W	MG RESISTOR 330Ω, 1/16W
		R1006	NRSA6AJ-103W			R1414	NRSA6AJ-331W	MG RESISTOR 330Ω, 1/16W
		R1007	NRSA6AJ-334W			R1415	NRSA6AJ-331W	MG RESISTOR 330Ω, 1/16W
		R1008	NRSA6AJ-561W			R1416	NRSA6AJ-331W	MG RESISTOR 330Ω, 1/16W
		R1009	NRSA6AJ-151W			R1418	NRSA6AJ-221W	MG RESISTOR 220Ω, 1/16W
		R1010	NRSA6AJ-221W			R1419	NRSA6AJ-221W	MG RESISTOR 220Ω, 1/16W
		R1011	NRSA6AJ-103W			R1420	NRSA6AJ-473W	MG RESISTOR 47kΩ, 1/16W
		R1012	NRSA6AJ-102W			R1422	NRSA6AJ-332W	MG RESISTOR 3.3kΩ, 1/16W
		R1013	NRSA6AJ-103W			R1423	NRSA6AJ-332W	MG RESISTOR 3.3kΩ, 1/16W
		R1014	NRSA6AJ-103W			R1424	NRSA6AJ-332W	MG RESISTOR 3.3kΩ, 1/16W
		R1015	NRSA6AJ-474W			R1425	NRVA6AD-753W	CMF RESISTOR 75kΩ, 1/16W
		R1016	NRSA6AJ-474W			R1426	NRSA6AJ-334W	MG RESISTOR 330kΩ, 1/16W
		R1017	NRSA6AJ-104W			R1427	NRSA6AJ-103W	MG RESISTOR 10kΩ, 1/16W
		R1018	NRSA6AJ-103W			R1428	NRSA6AJ-153W	MG RESISTOR 15kΩ, 1/16W
		R1019	NRSA6AJ-0R0W			R1429	NRSA6AJ-102W	MG RESISTOR 1kΩ, 1/16W
		R1020	NRSA6AJ-331W			R1430	NRSA6AJ-102W	MG RESISTOR 1kΩ, 1/16W
		R1021	NRSA6AJ-331W			R1432	NRSA6AJ-820W	MG RESISTOR 82Ω, 1/16W
		R1022	NRSA6AJ-331W			R1434	NRSA6AJ-683W	MG RESISTOR 68kΩ, 1/16W
		R1023	NRSA6AJ-103W			R1436	NRSA6AJ-683W	MG RESISTOR 68kΩ, 1/16W
		R1024	NRSA6AJ-823W			R1437	NRVA6AD-103W	CMF RESISTOR 10kΩ, 1/16W
		R1025	NRVA6AD-623W			R1439	NRSA6AJ-332W	MG RESISTOR 3.3kΩ, 1/16W
		R1026	NRSA6AJ-104W			R1440	NRSA6AJ-332W	MG RESISTOR 3.3kΩ, 1/16W
		R1027	NRSA6AJ-104W			R1441	NRSA6AJ-332W	MG RESISTOR 3.3kΩ, 1/16W
		R1028	NRSA6AJ-185W			R1442	NRSA6AJ-332W	MG RESISTOR 3.3kΩ, 1/16W
		R1029	NRSA6AJ-473W			R1445	NRSA6AJ-101W	MG RESISTOR 100Ω, 1/16W
		R1030	NRSA6AJ-104W			R1446	NRSA6AJ-102W	MG RESISTOR 1kΩ, 1/16W
		R1031	NRSA6AJ-102W			R1447	NRSA6AJ-102W	MG RESISTOR 1kΩ, 1/16W
		R1032	NRSA6AJ-104W			R1601	NRSA6AJ-681W	MG RESISTOR 680Ω, 1/16W
		R1033	NRSA6AJ-102W			R1602	NRSA6AJ-124W	MG RESISTOR 120kΩ, 1/16W
		R1034	NRSA6AJ-102W			R1603	NRSA6AJ-472W	MG RESISTOR 4.7kΩ, 1/16W
		R1037	NRSA6AJ-103W			R1604	NRSA6AJ-104W	MG RESISTOR 100kΩ, 1/16W
		R1039	NRSA6AJ-103W			R1605	NRV142F-R22X	CMF RESISTOR 0.22Ω, 1/4W
		R1040	NRSA6AJ-102W			R1606	NRSA6AJ-103W	MG RESISTOR 10kΩ, 1/16W
		R1044	NRSA6AJ-123W			R1608	NRSA02J-0R0X	MG RESISTOR 0Ω, 1/10W
						R1609	NRV142F-R33X	CMF RESISTOR 0.33Ω, 1/4W
						R1610	NRSA6AJ-471W	MG RESISTOR 470Ω, 1/16W
						R1611	NRSA6AJ-471W	MG RESISTOR 470Ω, 1/16W
						R1612	NRSA6AJ-104W	MG RESISTOR 100kΩ, 1/16W

#	△ REF No.	PART No.	PART NAME, DESCRIPTION		#	△ REF No.	PART No.	PART NAME, DESCRIPTION	
R1613		NRSA6AJ-102W	MG RESISTOR	1k Ω ,1/16W	R2304		NRSA6AJ-0R0W	MG RESISTOR	0 Ω ,1/16W
R1614		NRVA6AD-682W	CMF RESISTOR	6.8k Ω ,1/16W	R2305		NRSA6AJ-0R0W	MG RESISTOR	0 Ω ,1/16W
R1615		NRSA6AJ-103W	MG RESISTOR	10k Ω ,1/16W	R2306		NRSA6AJ-0R0W	MG RESISTOR	0 Ω ,1/16W
R1616		NRSA6AJ-391W	MG RESISTOR	390 Ω ,1/16W	R2307		NRSA6AJ-0R0W	MG RESISTOR	0 Ω ,1/16W
R1617		NRSA6AJ-224W	MG RESISTOR	220k Ω ,1/16W	R2308		NRSA6AJ-0R0W	MG RESISTOR	0 Ω ,1/16W
R1618		NRSA6AJ-154W	MG RESISTOR	150k Ω ,1/16W	R2309		NRSA6AJ-0R0W	MG RESISTOR	0 Ω ,1/16W
R1619		NRSA6AJ-223W	MG RESISTOR	22k Ω ,1/16W	R2311		NRSA6AJ-0R0W	MG RESISTOR	0 Ω ,1/16W
R1620		NRSA6AJ-103W	MG RESISTOR	10k Ω ,1/16W	R3002		NRSA6AJ-105W	MG RESISTOR	1M Ω ,1/16W
R1621		NRSA6AJ-103W	MG RESISTOR	10k Ω ,1/16W	R3008		NRSA6AJ-100W	MG RESISTOR	10 Ω ,1/16W
R1622		NRSA6AJ-103W	MG RESISTOR	10k Ω ,1/16W	R3012		NRSA6AJ-100W	MG RESISTOR	10 Ω ,1/16W
R1624		NRVA6AD-123W	CMF RESISTOR	12k Ω ,1/16W	R3013		NRSA6AJ-100W	MG RESISTOR	10 Ω ,1/16W
R1625		NRSA6AJ-181W	MG RESISTOR	180 Ω ,1/16W	R3016		NRSA6AJ-100W	MG RESISTOR	10 Ω ,1/16W
R1626		NRSA6AJ-181W	MG RESISTOR	180 Ω ,1/16W	R3017		NRSA6AJ-100W	MG RESISTOR	10 Ω ,1/16W
R1628		NRVA6AD-271W	CMF RESISTOR	270 Ω ,1/16W	R3018		NRSA6AJ-100W	MG RESISTOR	10 Ω ,1/16W
R1629		NRSA6AJ-684W	MG RESISTOR	680k Ω ,1/16W	R3019		NRSA6AJ-100W	MG RESISTOR	10 Ω ,1/16W
R1635		NRSA6AJ-472W	MG RESISTOR	4.7k Ω ,1/16W	R3030		NRVA6AD-682W	CMF RESISTOR	6.8k Ω ,1/16W
R1636		NRSA6AJ-103W	MG RESISTOR	10k Ω ,1/16W	R3031		NRSA6AJ-472W	MG RESISTOR	4.7k Ω ,1/16W
R1637		NRSA6AJ-154W	MG RESISTOR	150k Ω ,1/16W	R3032		NRSA6AJ-0R0W	MG RESISTOR	0 Ω ,1/16W
R2006		NRSA6AJ-100W	MG RESISTOR	10 Ω ,1/16W	R3036		NRSA6AJ-0R0W	MG RESISTOR	0 Ω ,1/16W
R2007		NRSA6AJ-102W	MG RESISTOR	1k Ω ,1/16W	R3048		NRSA6AJ-0R0W	MG RESISTOR	0 Ω ,1/16W
R2008		NRSA6AJ-102W	MG RESISTOR	1k Ω ,1/16W	R3052		NRSA6AJ-101W	MG RESISTOR	100 Ω ,1/16W
R2009		NRSA6AJ-332W	MG RESISTOR	3.3k Ω ,1/16W	R3054		NRSA6AJ-331W	MG RESISTOR	330 Ω ,1/16W
R2014		NRSA6AJ-820W	MG RESISTOR	82 Ω ,1/16W	R3056		NRSA6AJ-471W	MG RESISTOR	470 Ω ,1/16W
R2015		NRSA6AJ-820W	MG RESISTOR	82 Ω ,1/16W	R3057		NRSA6AJ-101W	MG RESISTOR	100 Ω ,1/16W
R2016		NRSA6AJ-820W	MG RESISTOR	82 Ω ,1/16W	R3058		NRSA6AJ-105W	MG RESISTOR	1M Ω ,1/16W
R2017		NRSA6AJ-102W	MG RESISTOR	1k Ω ,1/16W	R3059		NRSA6AJ-101W	MG RESISTOR	100 Ω ,1/16W
R2018		NRSA6AJ-103W	MG RESISTOR	10k Ω ,1/16W	R3060		NRSA6AJ-105W	MG RESISTOR	1M Ω ,1/16W
R2019		NRSA6AJ-2R7W	MG RESISTOR	2.7 Ω ,1/16W	R3061		NRSA6AJ-272W	MG RESISTOR	2.7k Ω ,1/16W
R2020		NRSA6AJ-2R7W	MG RESISTOR	2.7 Ω ,1/16W	R3062		NRSA6AJ-124W	MG RESISTOR	120k Ω ,1/16W
R2023		NRSA6AJ-102W	MG RESISTOR	1k Ω ,1/16W	R3063		NRSA6AJ-124W	MG RESISTOR	120k Ω ,1/16W
R2024		NRSA6AJ-183W	MG RESISTOR	18k Ω ,1/16W	R3064		NRSA6AJ-100W	MG RESISTOR	10 Ω ,1/16W
R2025		NRSA6AJ-104W	MG RESISTOR	100k Ω ,1/16W	R3101		NRSA6AJ-331W	MG RESISTOR	330 Ω ,1/16W
R2026		NRSA6AJ-0R0W	MG RESISTOR	0 Ω ,1/16W	R3102		NRSA6AJ-103W	MG RESISTOR	10k Ω ,1/16W
R2027		NRSA6AJ-332W	MG RESISTOR	3.3k Ω ,1/16W	R3103		NRSA6AJ-104W	MG RESISTOR	100k Ω ,1/16W
R2028		NRSA6AJ-224W	MG RESISTOR	220k Ω ,1/16W	R3105		NRSA6AJ-104W	MG RESISTOR	100k Ω ,1/16W
R2029		NRSA6AJ-0R0W	MG RESISTOR	0 Ω ,1/16W	R3106		NRSA6AJ-471W	MG RESISTOR	470 Ω ,1/16W
R2101		NRSA6AJ-182W	MG RESISTOR	1.8k Ω ,1/16W	R3113		NRSA6AJ-394W	MG RESISTOR	390k Ω ,1/16W
R2102		NRSA6AJ-182W	MG RESISTOR	1.8k Ω ,1/16W	R3115		NRSA6AJ-472W	MG RESISTOR	4.7k Ω ,1/16W
R2103		NRSA6AJ-153W	MG RESISTOR	15k Ω ,1/16W	R3117		NRSA6AJ-560W	MG RESISTOR	56 Ω ,1/16W
R2104		NRSA6AJ-153W	MG RESISTOR	15k Ω ,1/16W	R3118		NRSA6AJ-560W	MG RESISTOR	56 Ω ,1/16W
R2105		NRSA6AJ-104W	MG RESISTOR	100k Ω ,1/16W	R3119		NRSA6AJ-560W	MG RESISTOR	56 Ω ,1/16W
R2106		NRSA6AJ-104W	MG RESISTOR	100k Ω ,1/16W	R3120		NRSA6AJ-560W	MG RESISTOR	56 Ω ,1/16W
R2107		NRSA6AJ-473W	MG RESISTOR	47k Ω ,1/16W	R3121		NRSA6AJ-512W	MG RESISTOR	5.1k Ω ,1/16W
R2108		NRSA6AJ-473W	MG RESISTOR	47k Ω ,1/16W	R3128		NRVA6AD-272W	CMF RESISTOR	2.7k Ω ,1/16W
R2109		NRSA6AJ-472W	MG RESISTOR	4.7k Ω ,1/16W	R3129		NRVA6AD-362W	CMF RESISTOR	3.6k Ω ,1/16W
R2110		NRSA6AJ-472W	MG RESISTOR	4.7k Ω ,1/16W	R3201		NRSA6AJ-100W	MG RESISTOR	10 Ω ,1/16W
R2111		NRSA6AJ-222W	MG RESISTOR	2.2k Ω ,1/16W	R3202		NRSA6AJ-100W	MG RESISTOR	10 Ω ,1/16W
R2112		NRSA6AJ-222W	MG RESISTOR	2.2k Ω ,1/16W	R3203		NRSA6AJ-272W	MG RESISTOR	2.7k Ω ,1/16W
R2113		NRSA6AJ-153W	MG RESISTOR	15k Ω ,1/16W	R3204		NRSA6AJ-473W	MG RESISTOR	47k Ω ,1/16W
R2114		NRSA6AJ-153W	MG RESISTOR	15k Ω ,1/16W	R3208		NRSA6AJ-820W	MG RESISTOR	82 Ω ,1/16W
R2117		NRSA6AJ-472W	MG RESISTOR	4.7k Ω ,1/16W	R3209		NRSA6AJ-101W	MG RESISTOR	100 Ω ,1/16W
R2118		NRSA6AJ-472W	MG RESISTOR	4.7k Ω ,1/16W	R3211		NRSA6AJ-105W	MG RESISTOR	1M Ω ,1/16W
R2119		NRSA6AJ-153W	MG RESISTOR	15k Ω ,1/16W	R3303		NRSA6AJ-823W	MG RESISTOR	82k Ω ,1/16W
R2120		NRSA6AJ-153W	MG RESISTOR	15k Ω ,1/16W	R3305		NRSA6AJ-121W	MG RESISTOR	120 Ω ,1/16W
R2127		NRSA6AJ-472W	MG RESISTOR	4.7k Ω ,1/16W	R3306		NRSA6AJ-391W	MG RESISTOR	390 Ω ,1/16W
R2128		NRSA6AJ-472W	MG RESISTOR	4.7k Ω ,1/16W	R3308		NRSA6AJ-152W	MG RESISTOR	1.5k Ω ,1/16W
R2129		NRSA6AJ-332W	MG RESISTOR	3.3k Ω ,1/16W	R3310		NRSA6AJ-102W	MG RESISTOR	1k Ω ,1/16W
R2130		NRSA6AJ-332W	MG RESISTOR	3.3k Ω ,1/16W	R3312		NRSA6AJ-222W	MG RESISTOR	2.2k Ω ,1/16W
R2201		NRSA6AJ-182W	MG RESISTOR	1.8k Ω ,1/16W	R3315		NRSA6AJ-103W	MG RESISTOR	10k Ω ,1/16W
R2202		NRSA6AJ-182W	MG RESISTOR	1.8k Ω ,1/16W	R3316		NRSA6AJ-0R0W	MG RESISTOR	0 Ω ,1/16W
R2301		NRSA6AJ-100W	MG RESISTOR	10 Ω ,1/16W	R3317		NRSA6AJ-222W	MG RESISTOR	2.2k Ω ,1/16W
R2302		NRSA6AJ-100W	MG RESISTOR	10 Ω ,1/16W	R3318		NRSA6AJ-562W	MG RESISTOR	5.6k Ω ,1/16W
R2303		NRSA6AJ-100W	MG RESISTOR	10 Ω ,1/16W	R3319		NRSA6AJ-102W	MG RESISTOR	1k Ω ,1/16W

#	REF No.	PART No.	PART NAME, DESCRIPTION	#	REF No.	PART No.	PART NAME, DESCRIPTION
R3320	NRSA6AJ-102W	MG RESISTOR	1kΩ, 1/16W	R3724	NRSA6AJ-392W	MG RESISTOR	3.9kΩ, 1/16W
R3322	NRSA6AJ-222W	MG RESISTOR	2.2kΩ, 1/16W	R4202	NRSA6AJ-0R0W	MG RESISTOR	0Ω, 1/16W
R3323	NRSA6AJ-823W	MG RESISTOR	82kΩ, 1/16W	R4203	NRSA6AJ-0R0W	MG RESISTOR	0Ω, 1/16W
R3324	NRSA6AJ-223W	MG RESISTOR	22kΩ, 1/16W	R4204	NRSA6AJ-220W	MG RESISTOR	22Ω, 1/16W
R3325	NRSA6AJ-103W	MG RESISTOR	10kΩ, 1/16W	R4205	NRSA6AJ-243W	MG RESISTOR	24kΩ, 1/16W
R3326	NRSA6AJ-103W	MG RESISTOR	10kΩ, 1/16W	R4206	NRSA6AJ-102W	MG RESISTOR	1kΩ, 1/16W
R3327	NRSA6AJ-103W	MG RESISTOR	10kΩ, 1/16W	R4207	NRSA6AJ-102W	MG RESISTOR	1kΩ, 1/16W
R3328	NRSA6AJ-822W	MG RESISTOR	8.2kΩ, 1/16W	R4208	NRSA6AJ-102W	MG RESISTOR	1kΩ, 1/16W
R3329	NRSA6AJ-105W	MG RESISTOR	1MΩ, 1/16W	R4301	NRSA6AJ-101W	MG RESISTOR	100Ω, 1/16W
R3330	NRSA6AJ-473W	MG RESISTOR	47kΩ, 1/16W	R4304	NRSA6AJ-0R0W	MG RESISTOR	0Ω, 1/16W
R3331	NRSA6AJ-473W	MG RESISTOR	47kΩ, 1/16W	R4305	NRSA6AJ-0R0W	MG RESISTOR	0Ω, 1/16W
R3332	NRSA6AJ-104W	MG RESISTOR	100kΩ, 1/16W	R4307	NRSA6AD-333W	MG RESISTOR	33kΩ, 1/16W
R3333	NRSA6AJ-333W	MG RESISTOR	33kΩ, 1/16W	R4308	NRSA6AD-682W	MG RESISTOR	6.8kΩ, 1/16W
R3334	NRSA6AJ-105W	MG RESISTOR	1MΩ, 1/16W	R4309	NRSA6AJ-0R0W	MG RESISTOR	0Ω, 1/16W
R3335	NRSA6AJ-822W	MG RESISTOR	8.2kΩ, 1/16W	R4311	NRSA6AD-272W	MG RESISTOR	2.7kΩ, 1/16W
R3336	NRSA6AJ-103W	MG RESISTOR	10kΩ, 1/16W	R4312	NRSA6AD-272W	MG RESISTOR	2.7kΩ, 1/16W
R3337	NRSA6AJ-123W	MG RESISTOR	12kΩ, 1/16W	R4313	NRSA6AD-272W	MG RESISTOR	2.7kΩ, 1/16W
R3338	NRSA6AJ-273W	MG RESISTOR	27kΩ, 1/16W	R4314	NRSA6AD-123W	MG RESISTOR	12kΩ, 1/16W
R3339	NRSA6AJ-273W	MG RESISTOR	27kΩ, 1/16W	R4315	NRSA6AD-103W	MG RESISTOR	10kΩ, 1/16W
R3341	NRSA6AJ-223W	MG RESISTOR	22kΩ, 1/16W	R4316	NRSA6AD-111W	MG RESISTOR	110Ω, 1/16W
R3342	NRSA6AJ-102W	MG RESISTOR	1kΩ, 1/16W	R4317	NRSA6AJ-0R0W	MG RESISTOR	0Ω, 1/16W
R3344	NRSA6AJ-820W	MG RESISTOR	82Ω, 1/16W	R4318	NRSA6AJ-152W	MG RESISTOR	1.5kΩ, 1/16W
R3349	NRSA6AJ-0R0W	MG RESISTOR	0Ω, 1/16W	R4319	NRSA6AD-111W	MG RESISTOR	110Ω, 1/16W
R3350	NRSA6AJ-471W	MG RESISTOR	470Ω, 1/16W	R4320	NRSA6AJ-0R0W	MG RESISTOR	0Ω, 1/16W
R3351	NRSA6AJ-102W	MG RESISTOR	1kΩ, 1/16W	R4321	NRSA6AJ-152W	MG RESISTOR	1.5kΩ, 1/16W
R3352	NRSA6AJ-562W	MG RESISTOR	5.6kΩ, 1/16W	R4322	NRSA6AD-111W	MG RESISTOR	110Ω, 1/16W
R3353	NRSA6AJ-473W	MG RESISTOR	47kΩ, 1/16W	R4323	NRSA6AD-101W	MG RESISTOR	100Ω, 1/16W
R3502	NRSA6AJ-471W	MG RESISTOR	470Ω, 1/16W	R4324	NRSA6AJ-152W	MG RESISTOR	1.5kΩ, 1/16W
R3503	NRSA6AJ-103W	MG RESISTOR	10kΩ, 1/16W	R4326	NRSA6AJ-0R0W	MG RESISTOR	0Ω, 1/16W
R3504	NRSA6AJ-471W	MG RESISTOR	470Ω, 1/16W	R4327	NRSA6AJ-152W	MG RESISTOR	1.5kΩ, 1/16W
R3505	NRSA6AJ-680W	MG RESISTOR	68Ω, 1/16W	R4328	NRSA6AJ-0R0W	MG RESISTOR	0Ω, 1/16W
R3506	NRSA6AJ-152W	MG RESISTOR	1.5kΩ, 1/16W	R4329	NRSA6AJ-0R0W	MG RESISTOR	0Ω, 1/16W
R3507	NRSA6AJ-123W	MG RESISTOR	12kΩ, 1/16W	R4333	NRSA6AJ-0R0W	MG RESISTOR	0Ω, 1/16W
R3508	NRSA6AJ-102W	MG RESISTOR	1kΩ, 1/16W	R4336	NRSA6AJ-0R0W	MG RESISTOR	0Ω, 1/16W
R3509	NRSA6AJ-181W	MG RESISTOR	180Ω, 1/16W	R4337	NRSA6AJ-0R0W	MG RESISTOR	0Ω, 1/16W
R3510	NRSA6AJ-181W	MG RESISTOR	180Ω, 1/16W	R4338	NRSA6AJ-220W	MG RESISTOR	22Ω, 1/16W
R3511	NRSA6AJ-102W	MG RESISTOR	1kΩ, 1/16W	R4339	NRSA6AJ-0R0W	MG RESISTOR	0Ω, 1/16W
R3512	NRSA6AJ-123W	MG RESISTOR	12kΩ, 1/16W	R4340	NRSA6AJ-0R0W	MG RESISTOR	0Ω, 1/16W
R3513	NRSA6AJ-152W	MG RESISTOR	1.5kΩ, 1/16W	R4341	NRSA6AJ-0R0W	MG RESISTOR	0Ω, 1/16W
R3514	NRSA6AJ-680W	MG RESISTOR	68Ω, 1/16W	R4343	NRSA6AJ-0R0W	MG RESISTOR	0Ω, 1/16W
R3515	NRSA6AJ-100W	MG RESISTOR	10Ω, 1/16W	R4344	NRSA6AJ-0R0W	MG RESISTOR	0Ω, 1/16W
R3516	NRSA6AJ-152W	MG RESISTOR	1.5kΩ, 1/16W	R4347	NRSA6AJ-223W	MG RESISTOR	22kΩ, 1/16W
R3517	NRSA6AJ-102W	MG RESISTOR	1kΩ, 1/16W	R4348	NRSA6AJ-223W	MG RESISTOR	22kΩ, 1/16W
R3551	NRSA6AJ-473W	MG RESISTOR	47kΩ, 1/16W	R4349	NRSA6AJ-223W	MG RESISTOR	22kΩ, 1/16W
R3552	NRSA6AJ-392W	MG RESISTOR	3.9kΩ, 1/16W	R4350	NRSA6AJ-223W	MG RESISTOR	22kΩ, 1/16W
R3554	NRSA6AJ-471W	MG RESISTOR	470Ω, 1/16W	R4351	NRSA6AJ-223W	MG RESISTOR	22kΩ, 1/16W
R3555	NRSA6AJ-0R0W	MG RESISTOR	0Ω, 1/16W	R4804	NRSA6AJ-331W	MG RESISTOR	330Ω, 1/16W
R3556	NRSA6AJ-0R0W	MG RESISTOR	0Ω, 1/16W	R4805	NRSA6AJ-103W	MG RESISTOR	10kΩ, 1/16W
R3701	NRSA6AD-241W	MG RESISTOR	240Ω, 1/16W	R4806	NRSA6AJ-683W	MG RESISTOR	68kΩ, 1/16W
R3702	NRSA6AD-241W	MG RESISTOR	240Ω, 1/16W	R4807	NRSA6AJ-823W	MG RESISTOR	82kΩ, 1/16W
R3703	NRSA6AJ-472W	MG RESISTOR	4.7kΩ, 1/16W	R4808	NRSA6AJ-243W	MG RESISTOR	24kΩ, 1/16W
R3706	NRSA6AD-221W	MG RESISTOR	220Ω, 1/16W	R4809	NRSA6AJ-681W	MG RESISTOR	680Ω, 1/16W
R3707	NRSA6AD-221W	MG RESISTOR	220Ω, 1/16W	R4810	NRSA6AJ-103W	MG RESISTOR	10kΩ, 1/16W
R3708	NRSA6AJ-472W	MG RESISTOR	4.7kΩ, 1/16W	R4811	NRSA6AJ-824W	MG RESISTOR	820kΩ, 1/16W
R3711	NRSA6AD-680W	MG RESISTOR	68Ω, 1/16W	R4812	NRSA6AJ-153W	MG RESISTOR	15kΩ, 1/16W
R3712	NRSA6AD-680W	MG RESISTOR	68Ω, 1/16W	R4814	NRSA6AJ-105W	MG RESISTOR	1MΩ, 1/16W
R3713	NRSA6AD-680W	MG RESISTOR	68Ω, 1/16W	R4815	NRSA6AJ-472W	MG RESISTOR	4.7kΩ, 1/16W
R3714	NRSA6AJ-123W	MG RESISTOR	12kΩ, 1/16W	R4816	NRSA6AJ-105W	MG RESISTOR	1MΩ, 1/16W
R3715	NRSA6AJ-103W	MG RESISTOR	10kΩ, 1/16W	R4817	NRSA6AJ-334W	MG RESISTOR	330kΩ, 1/16W
R3717	NRSA6AJ-561W	MG RESISTOR	560Ω, 1/16W	R4818	NRSA6AJ-154W	MG RESISTOR	15kΩ, 1/16W
R3718	NRSA6AJ-561W	MG RESISTOR	560Ω, 1/16W	R4819	NRSA6AJ-103W	MG RESISTOR	10kΩ, 1/16W
R3719	NRSA6AJ-103W	MG RESISTOR	10kΩ, 1/16W	R4820	NRSA6AJ-104W	MG RESISTOR	100kΩ, 1/16W
R3723	NRSA6AJ-472W	MG RESISTOR	4.7kΩ, 1/16W	R4821	NRSA6AJ-104W	MG RESISTOR	100kΩ, 1/16W

#	△ REF No.	PART No.	PART NAME, DESCRIPTION	#	△ REF No.	PART No.	PART NAME, DESCRIPTION
R4822		NRSA6AJ-333W	MG RESISTOR 33kΩ,1/16W	R6205		NRSA6AJ-102W	MG RESISTOR 1kΩ,1/16W
R4823		NRSA6AJ-102W	MG RESISTOR 1kΩ,1/16W	R6206		NRVA6AD-183W	CMF RESISTOR 18kΩ,1/16W
R4824		NRSA6AJ-472W	MG RESISTOR 4.7kΩ,1/16W	R6207		NRVA6AD-153W	CMF RESISTOR 15kΩ,1/16W
R4833		NRSA6AJ-104W	MG RESISTOR 100kΩ,1/16W	R6208		NRVA6AD-123W	CMF RESISTOR 12kΩ,1/16W
R4836		NRSA6AJ-102W	MG RESISTOR 1kΩ,1/16W	R6209		NRVA6AD-153W	CMF RESISTOR 15kΩ,1/16W
R4856		NRSA63J-6R8X	MG RESISTOR 6.8Ω,1/16W	R6210		NRVA6AD-183W	CMF RESISTOR 18kΩ,1/16W
R4857		NRSA63J-6R8X	MG RESISTOR 6.8Ω,1/16W	R6212		NRVA6AD-472W	CMF RESISTOR 4.7kΩ,1/16W
R4858		NRSA6AJ-333W	MG RESISTOR 33kΩ,1/16W	R6213		NRSA6AJ-103W	MG RESISTOR 10kΩ,1/16W
R4862		NRSA63J-6R8X	MG RESISTOR 6.8Ω,1/16W	R6214		NRSA6AJ-152W	MG RESISTOR 1.5kΩ,1/16W
R4863		NRSA63J-6R8X	MG RESISTOR 6.8Ω,1/16W	R6215		NRSA6AJ-473W	MG RESISTOR 47kΩ,1/16W
R4864		NRSA6AJ-102W	MG RESISTOR 1kΩ,1/16W	R6217		NRSA6AJ-151W	MG RESISTOR 150Ω,1/16W
R4865		NRSA6AJ-102W	MG RESISTOR 1kΩ,1/16W	R6218		NRSA6AJ-104W	MG RESISTOR 100kΩ,1/16W
R4866		NRSA6AJ-102W	MG RESISTOR 1kΩ,1/16W	R6219		NRVA6AD-243W	CMF RESISTOR 24kΩ,1/16W
R4867		NRSA6AJ-102W	MG RESISTOR 1kΩ,1/16W	R6220		NRVA6AD-302W	CMF RESISTOR 3kΩ,1/16W
R4868		NRSA6AJ-0R0W	MG RESISTOR 0Ω,1/16W	R6221		NRVA6AD-104W	CMF RESISTOR 100kΩ,1/16W
R4870		NRSA6AJ-271W	MG RESISTOR 270Ω,1/16W	R6223		NRVA6AD-123W	CMF RESISTOR 12kΩ,1/16W
R4874		NRSA6AJ-0R0W	MG RESISTOR 0Ω,1/16W	R6224		NRVA6AD-473W	CMF RESISTOR 47kΩ,1/16W
R5501		NRSA6AJ-0R0W	MG RESISTOR 0Ω,1/16W	R6225		NRVA6AD-562W	CMF RESISTOR 5.6kΩ,1/16W
R5503		NRSA6AJ-0R0W	MG RESISTOR 0Ω,1/16W	R6226		NRVA6AD-223W	CMF RESISTOR 22kΩ,1/16W
R5504		NRSA6AJ-0R0W	MG RESISTOR 0Ω,1/16W	R6227		NRVA6AD-473W	CMF RESISTOR 47kΩ,1/16W
R5505		NRSA6AJ-0R0W	MG RESISTOR 0Ω,1/16W	R6228		NRVA6AD-473W	CMF RESISTOR 47kΩ,1/16W
R5506		NRSA6AJ-0R0W	MG RESISTOR 0Ω,1/16W	R6229		NRVA6AD-332W	CMF RESISTOR 3.3kΩ,1/16W
R5507		NRSA6AJ-0R0W	MG RESISTOR 0Ω,1/16W	R6230		NRSA6AJ-272W	MG RESISTOR 2.7kΩ,1/16W
R5509		NRSA6AJ-470W	MG RESISTOR 47Ω,1/16W	R6231		NRVA6AD-104W	CMF RESISTOR 100kΩ,1/16W
R5510		NRSA6AJ-470W	MG RESISTOR 47Ω,1/16W	R6232		NRVA6AD-473W	CMF RESISTOR 47kΩ,1/16W
R5511		NRSA6AJ-470W	MG RESISTOR 47Ω,1/16W	R6233		NRSA6AJ-822W	MG RESISTOR 8.2kΩ,1/16W
R5512		NRSA6AJ-102W	MG RESISTOR 1kΩ,1/16W	R6234		NRSA6AJ-273W	MG RESISTOR 27kΩ,1/16W
R5513		NRSA6AJ-102W	MG RESISTOR 1kΩ,1/16W	R6235		NRVA6AD-683W	CMF RESISTOR 68kΩ,1/16W
R5514		NRSA6AJ-102W	MG RESISTOR 1kΩ,1/16W	R6236		NRVA6AD-473W	CMF RESISTOR 47kΩ,1/16W
R5517		NRSA6AJ-0R0W	MG RESISTOR 0Ω,1/16W	R6237		NRVA6AD-753W	CMF RESISTOR 75kΩ,1/16W
R6001		NRSA6AJ-104W	MG RESISTOR 100kΩ,1/16W	R6238		NRVA6AD-104W	CMF RESISTOR 100kΩ,1/16W
R6002		NRSA6AJ-104W	MG RESISTOR 100kΩ,1/16W	R6239		NRSA6AJ-103W	MG RESISTOR 10kΩ,1/16W
R6003		NRSA6AJ-224W	MG RESISTOR 220kΩ,1/16W	R6240		NRSA6AJ-333W	MG RESISTOR 33kΩ,1/16W
R6004		NRSA6AJ-183W	MG RESISTOR 18kΩ,1/16W	R6241		NRSA6AJ-102W	MG RESISTOR 1kΩ,1/16W
R6005		NRSA6AJ-104W	MG RESISTOR 100kΩ,1/16W	R6242		NRSA6AJ-104W	MG RESISTOR 100kΩ,1/16W
△ R6009		NRSA63J-102X	MG RESISTOR 1kΩ,1/16W	R6243		NRSA6AJ-823W	MG RESISTOR 82kΩ,1/16W
R6010		NRSA6AJ-473W	MG RESISTOR 47kΩ,1/16W	R6244		NRSA6AJ-152W	MG RESISTOR 1.5kΩ,1/16W
R6011		NRSA6AJ-102W	MG RESISTOR 1kΩ,1/16W	R6245		NRSA6AJ-562W	MG RESISTOR 5.6kΩ,1/16W
R6012		NRVA6AD-104W	CMF RESISTOR 100kΩ,1/16W	R6246		NRSA6AJ-222W	MG RESISTOR 2.2kΩ,1/16W
R6013		NRVA6AD-683W	CMF RESISTOR 68kΩ,1/16W	R6701		NRZ0058-R20X	MG RESISTOR 0.2Ω
R6014		NRSA63J-0R0X	MG RESISTOR 0Ω,1/16W	R6702		NRVA6AD-104W	CMF RESISTOR 100kΩ,1/16W
R6015		NRVA6AD-104W	CMF RESISTOR 100kΩ,1/16W	R6703		NRVA6AD-123W	CMF RESISTOR 12kΩ,1/16W
R6016		NRVA6AD-333W	CMF RESISTOR 33kΩ,1/16W	R6712		NRVA6AD-823W	CMF RESISTOR 82kΩ,1/16W
R6101		NRVA6AD-103W	CMF RESISTOR 10kΩ,1/16W	R6713		NRVA6AD-333W	CMF RESISTOR 33kΩ,1/16W
R6102		NRVA6AD-751W	CMF RESISTOR 750Ω,1/16W	RA1001		NRZ0034-102W	NETWORK RESISTOR 1kΩ
R6103		NRVA6AD-333W	CMF RESISTOR 33kΩ,1/16W	RA1002		NRZ0034-102W	NETWORK RESISTOR 1kΩ
R6104		NRSA6AJ-104W	MG RESISTOR 100kΩ,1/16W	RA1003		NRZ0034-102W	NETWORK RESISTOR 1kΩ
R6105		NRVA6AD-123W	CMF RESISTOR 12kΩ,1/16W	RA1004		NRZ0034-102W	NETWORK RESISTOR 1kΩ
R6106		NRSA6AJ-333W	MG RESISTOR 33kΩ,1/16W	RA1005		NRZ0034-102W	NETWORK RESISTOR 1kΩ
R6107		NRVA6AD-562W	CMF RESISTOR 5.6kΩ,1/16W	RA1006		NRZ0034-102W	NETWORK RESISTOR 1kΩ
R6108		NRSA6AJ-223W	MG RESISTOR 22kΩ,1/16W	RA1007		NRZ0034-102W	NETWORK RESISTOR 1kΩ
R6110		NRSA6AJ-0R0W	MG RESISTOR 0Ω,1/16W	RA1008		NRZ0034-104W	NETWORK RESISTOR 100kΩ
R6113		NRSA6AJ-472W	MG RESISTOR 4.7kΩ,1/16W	RA1009		NRZ0034-104W	NETWORK RESISTOR 100kΩ
R6114		NRSA6AJ-823W	MG RESISTOR 82kΩ,1/16W	RA1010		NRZ0034-104W	NETWORK RESISTOR 100kΩ
R6115		NRSA6AJ-823W	MG RESISTOR 82kΩ,1/16W	RA1401		NRZ0034-473W	NETWORK RESISTOR 47kΩ
R6116		NRVA6AD-153W	CMF RESISTOR 15kΩ,1/16W	RA1403		NRZ0034-102W	NETWORK RESISTOR 1kΩ
R6117		NRSA6AJ-0R0W	MG RESISTOR 0Ω,1/16W	RA3001		NRZ0034-100W	NETWORK RESISTOR 10Ω
R6118		NRSA6AJ-102W	MG RESISTOR 1kΩ,1/16W	RA3002		NRZ0034-100W	NETWORK RESISTOR 10Ω
R6122		NRSA6AJ-104W	MG RESISTOR 100kΩ,1/16W	RA4301		NRZ0034-101W	NETWORK RESISTOR 100Ω
R6124		NRSA6AJ-102W	MG RESISTOR 1kΩ,1/16W	RA4302		NRZ0034-101W	NETWORK RESISTOR 100Ω
R6201		NRVA6AD-243W	CMF RESISTOR 24kΩ,1/16W	RA4303		NRZ0034-101W	NETWORK RESISTOR 100Ω
R6203		NRVA6AD-123W	CMF RESISTOR 12kΩ,1/16W	C1001		NBE20JM-226X	T CAPACITOR 22μF,6.3V
R6204		NRSA6AJ-473W	MG RESISTOR 47kΩ,1/16W	△ C1002		NCFA1AZ-104W	CAPACITOR 0.1μF,10V

#	REF No.	PART No.	PART NAME, DESCRIPTION		#	REF No.	PART No.	PART NAME, DESCRIPTION	
C1003		NBE20JM-226X	T CAPACITOR	22µF,6.3V	C1620		NCBA1HK-222W	CAPACITOR	0.0022µF,50V
C1004		NCFA1AZ-104W	CAPACITOR	0.1µF,10V	C1621		NCB21CK-105X	CAPACITOR	1µF,16V
C1005		NCBA1CK-103W	CAPACITOR	0.01µF,16V	C1622		NCBA1CK-223W	CAPACITOR	0.022µF,16V
C1006		NDCA1HJ-130W	CAPACITOR	13pF,50V	C1623		NCBA1AK-473W	CAPACITOR	0.047µF,10V
C1007		NCBA1CK-103W	CAPACITOR	0.01µF,16V	C1624		NCBA1CK-103W	CAPACITOR	0.01µF,16V
C1009		NCBA1CK-103W	CAPACITOR	0.01µF,16V	C1625		NCBA1AK-473W	CAPACITOR	0.047µF,10V
C1010		NCBA1CK-103W	CAPACITOR	0.01µF,16V	C1626		NCBA1HK-331W	CAPACITOR	330pF,50V
C1011		NCBA1CK-103W	CAPACITOR	0.01µF,16V	C1627		NCBA1CK-822W	CAPACITOR	0.0082µF,16V
C1012		NCBA1CK-103W	CAPACITOR	0.01µF,16V	C1628		NCB21CK-224X	CAPACITOR	0.22µF,16V
C1014		NCBA1CK-103W	CAPACITOR	0.01µF,16V	C1632		NBE21AM-106X	T CAPACITOR	10µF,10V
C1015		NCBA1CK-103W	CAPACITOR	0.01µF,16V	C1633		NCB21CK-474X	CAPACITOR	0.47µF,16V
C1016		NCBA1CK-103W	CAPACITOR	0.01µF,16V	C1635		NCBA1AK-104W	CAPACITOR	0.1µF,10V
C1017		NCBA1CK-103W	CAPACITOR	0.01µF,16V	C1641		NCB21CK-474X	CAPACITOR	0.47µF,16V
C1019		NCBA1CK-103W	CAPACITOR	0.01µF,16V	C2001		NBE20JM-106X	T CAPACITOR	10µF,6.3V
C1023		NCFA1AZ-104W	CAPACITOR	0.1µF,10V	C2002		NBE20JM-106X	T CAPACITOR	10µF,6.3V
C1026		NCFA1AZ-104W	CAPACITOR	0.1µF,10V	C2004		NCB21CK-105X	CAPACITOR	1µF,16V
C1027		NCBA1CK-103W	CAPACITOR	0.01µF,16V	C2005		NCB21CK-105X	CAPACITOR	1µF,16V
C1028		NCBA1CK-103W	CAPACITOR	0.01µF,16V	C2006		NCBA1CK-103W	CAPACITOR	0.01µF,16V
C1029		NCBA1CK-103W	CAPACITOR	0.01µF,16V	C2007		NCBA1CK-103W	CAPACITOR	0.01µF,16V
C1030		NCBA1CK-103W	CAPACITOR	0.01µF,16V	C2008		NCB21CK-105X	CAPACITOR	1µF,16V
C1031		NCB30JK-105X	CAPACITOR	1µF,6.3V	C2009		NCB21CK-105X	CAPACITOR	1µF,16V
C1034		NCFA1AZ-104W	CAPACITOR	0.1µF,10V	C2010		NCB21CK-105X	CAPACITOR	1µF,16V
C1035		NCFA1AZ-104W	CAPACITOR	0.1µF,10V	C2011		NBE20JM-106X	T CAPACITOR	10µF,6.3V
C1036		NCFA1AZ-104W	CAPACITOR	0.1µF,10V	C2012		NBE20JM-106X	T CAPACITOR	10µF,6.3V
C1037		NCFA1AZ-104W	CAPACITOR	0.1µF,10V	C2013		NCBA1AK-104W	CAPACITOR	0.1µF,10V
C1038		NCFA1AZ-104W	CAPACITOR	0.1µF,10V	C2014		NCBA1AK-104W	CAPACITOR	0.1µF,10V
C1039		NCFA1AZ-104W	CAPACITOR	0.1µF,10V	C2015		NBE20JM-106X	T CAPACITOR	10µF,6.3V
C1040		NCFA1AZ-104W	CAPACITOR	0.1µF,10V	C2016		NCBA1CK-223W	CAPACITOR	0.022µF,16V
C1041		NCFA1AZ-104W	CAPACITOR	0.1µF,10V	C2017		NCBA1AK-333W	CAPACITOR	0.033µF,10V
C1042		NCBA1CK-103W	CAPACITOR	0.01µF,16V	C2018		NCB31CK-104X	CAPACITOR	0.1µF,16V
C1301		NCBA1AK-104W	CAPACITOR	0.1µF,10V	C2019		NCB31CK-104X	CAPACITOR	0.1µF,16V
C1302		NCBA1AK-104W	CAPACITOR	0.1µF,10V	C2020		NCBA1AK-104W	CAPACITOR	0.1µF,10V
C1303		NCBA1AK-104W	CAPACITOR	0.1µF,10V	C2021		NCBA1AK-104W	CAPACITOR	0.1µF,10V
C1304		NCBA1AK-104W	CAPACITOR	0.1µF,10V	C2101		NCB31CK-104X	CAPACITOR	0.1µF,16V
C1305		NCBA1AK-104W	CAPACITOR	0.1µF,10V	C2102		NCB31CK-104X	CAPACITOR	0.1µF,16V
C1306		NCBA1AK-104W	CAPACITOR	0.1µF,10V	C2103		NCB21CK-105X	CAPACITOR	1µF,16V
C1307		NCBA1AK-104W	CAPACITOR	0.1µF,10V	C2104		NCB21CK-105X	CAPACITOR	1µF,16V
C1401		NBE20JM-106X	T CAPACITOR	10µF,6.3V	C2109		NBE20JM-106X	T CAPACITOR	10µF,6.3V
C1402		NBE20JM-106X	T CAPACITOR	10µF,6.3V	C2110		NCB21CK-105X	CAPACITOR	1µF,16V
C1405		NCFA1AZ-104W	CAPACITOR	0.1µF,10V	C2111		NCBA1EK-472W	CAPACITOR	0.0047µF,25V
C1406		NCFA1AZ-104W	CAPACITOR	0.1µF,10V	C2112		NCBA1EK-472W	CAPACITOR	0.0047µF,25V
C1408		NCFA1AZ-104W	CAPACITOR	0.1µF,10V	C2113		NCBA1EK-472W	CAPACITOR	0.0047µF,25V
C1409		NCFA1AZ-104W	CAPACITOR	0.1µF,10V	C2114		NCBA1EK-472W	CAPACITOR	0.0047µF,25V
C1410		NCFA1AZ-104W	CAPACITOR	0.1µF,10V	C2115		NCB31CK-104X	CAPACITOR	0.1µF,16V
C1411		NCFA1AZ-104W	CAPACITOR	0.1µF,10V	C2116		NCB31CK-104X	CAPACITOR	0.1µF,16V
C1412		NCFA1AZ-104W	CAPACITOR	0.1µF,10V	C2121		NCBA1CK-223W	CAPACITOR	0.022µF,16V
C1413		NCFA1AZ-104W	CAPACITOR	0.1µF,10V	C2122		NCBA1CK-223W	CAPACITOR	0.022µF,16V
C1414		NCBA1CK-103W	CAPACITOR	0.01µF,16V	C2123		NCBA1CK-223W	CAPACITOR	0.022µF,16V
C1415		NCBA1CK-103W	CAPACITOR	0.01µF,16V	C2124		NCBA1CK-223W	CAPACITOR	0.022µF,16V
C1416		NCBA1CK-103W	CAPACITOR	0.01µF,16V	C2125		NCBA1CK-223W	CAPACITOR	0.022µF,16V
C1417		NCBA1CK-223W	CAPACITOR	0.022µF,16V	C2126		NCBA1CK-223W	CAPACITOR	0.022µF,16V
C1418		NCBA1CK-223W	CAPACITOR	0.022µF,16V	C2131		NCBA1HK-102W	CAPACITOR	0.001µF,50V
C1419		NCBA1CK-223W	CAPACITOR	0.022µF,16V	C2132		NCBA1HK-102W	CAPACITOR	0.001µF,50V
C1420		NCBA1CK-223W	CAPACITOR	0.022µF,16V	C2133		NCBA1CK-223W	CAPACITOR	0.022µF,16V
C1601		NCBA1CK-103W	CAPACITOR	0.01µF,16V	C2134		NCBA1CK-223W	CAPACITOR	0.022µF,16V
C1602		NBE21AM-106X	T CAPACITOR	10µF,10V	C2201		NCBA1CK-103W	CAPACITOR	0.01µF,16V
C1603		NBE21AM-106X	T CAPACITOR	10µF,10V	C2202		NCBA1CK-103W	CAPACITOR	0.01µF,16V
C1605		NCBA1AK-104W	CAPACITOR	0.1µF,10V	C2301		NBE20JM-106X	T CAPACITOR	10µF,6.3V
C1606		NCB31HK-152X	CAPACITOR	0.0015µF,50V	C2302		NCB31CK-104X	CAPACITOR	0.1µF,16V
C1607		NCBA1AK-473W	CAPACITOR	0.047µF,10V	C2304		NDCA1HJ-101W	CAPACITOR	100pF,50V
C1614		NBE21AM-106X	T CAPACITOR	10µF,10V	C2306		NDCA1HJ-101W	CAPACITOR	100pF,50V
C1618		NCBA1HK-222W	CAPACITOR	0.0022µF,50V	C2307		NDCA1HJ-101W	CAPACITOR	100pF,50V
C1619		NCBA1HK-222W	CAPACITOR	0.0022µF,50V	C3003		NBE20JM-106X	T CAPACITOR	10µF,6.3V

#	Δ REF No.	PART No.	PART NAME, DESCRIPTION	#	Δ REF No.	PART No.	PART NAME, DESCRIPTION
	C3004	NBE20GM-226X	T CAPACITOR 22μF,4.0V		C3318	NCBA1AK-683W	CAPACITOR 0.068μF,10V
	C3006	NCBA1CK-103W	CAPACITOR 0.01μF,16V		C3319	NCB20JK-225X	CAPACITOR 2.2μF,6.3V
	C3009	NDCA1HJ-100W	CAPACITOR 10pF,50V		C3320	NCBA1AK-333W	CAPACITOR 0.033μF,10V
	C3010	NDCA1HJ-100W	CAPACITOR 10pF,50V		C3321	NCBA1CK-103W	CAPACITOR 0.01μF,16V
	C3011	NCFA1AZ-104W	CAPACITOR 0.1μF,10V		C3322	NCBA1AK-104W	CAPACITOR 0.1μF,10V
	C3012	NCFA1AZ-104W	CAPACITOR 0.1μF,10V		C3324	NCBA1CK-103W	CAPACITOR 0.01μF,16V
	C3022	NCFA1AZ-104W	CAPACITOR 0.1μF,10V		C3325	NCBA1CK-103W	CAPACITOR 0.01μF,16V
	C3023	NCFA1AZ-104W	CAPACITOR 0.1μF,10V		C3326	NCBA1AK-104W	CAPACITOR 0.1μF,10V
	C3027	NCFA1AZ-104W	CAPACITOR 0.1μF,10V		C3327	NCBA1AK-104W	CAPACITOR 0.1μF,10V
	C3028	NCFA1AZ-104W	CAPACITOR 0.1μF,10V		C3328	NCBA1AK-104W	CAPACITOR 0.1μF,10V
	C3035	NCFA1AZ-104W	CAPACITOR 0.1μF,10V		C3329	NCBA1CK-103W	CAPACITOR 0.01μF,16V
	C3037	NCFA1AZ-104W	CAPACITOR 0.1μF,10V		C3330	NDCA1HJ-100W	CAPACITOR 10pF,50V
	C3038	NCBA1CK-103W	CAPACITOR 0.01μF,16V		C3331	NCBA1AK-104W	CAPACITOR 0.1μF,10V
	C3040	NCFA1AZ-104W	CAPACITOR 0.1μF,10V		C3332	NCBA1CK-103W	CAPACITOR 0.01μF,16V
	C3041	NCBA1CK-103W	CAPACITOR 0.01μF,16V		C3501	NCBA1CK-103W	CAPACITOR 0.01μF,16V
	C3042	NCB30JK-474X	CAPACITOR 0.47μF,6.3V		C3502	NCB30JK-105X	CAPACITOR 1μF,6.3V
	C3043	NCBA1CK-103W	CAPACITOR 0.01μF,16V		C3503	NCBA1CK-103W	CAPACITOR 0.01μF,16V
	C3048	NCFA1AZ-104W	CAPACITOR 0.1μF,10V		C3504	NCBA1CK-103W	CAPACITOR 0.01μF,16V
	C3049	NCBA1CK-103W	CAPACITOR 0.01μF,16V		C3505	NCBA1CK-103W	CAPACITOR 0.01μF,16V
	C3050	NCFA1AZ-104W	CAPACITOR 0.1μF,10V		C3506	NCBA1HK-152W	CAPACITOR 0.0015μF,50V
	C3101	NDCA1EJ-271W	CAPACITOR 270pF,25V		C3507	NBE90JM-106X	T CAPACITOR 10μF,6.3V
	C3102	NCB30JK-105X	CAPACITOR 1μF,6.3V		C3508	NDCA1HJ-330W	CAPACITOR 33pF,50V
	C3103	NCB30JK-105X	CAPACITOR 1μF,6.3V		C3509	NCBA1CK-103W	CAPACITOR 0.01μF,16V
	C3104	NCB30JK-105X	CAPACITOR 1μF,6.3V		C3510	NCBA1CK-103W	CAPACITOR 0.01μF,16V
	C3105	NCFA1AZ-104W	CAPACITOR 0.1μF,10V		C3511	NDCA1HJ-220W	CAPACITOR 22pF,50V
	C3106	NBE20JM-106X	T CAPACITOR 10μF,6.3V		C3512	NBE90JM-106X	T CAPACITOR 10μF,6.3V
	C3107	NBE20JM-106X	T CAPACITOR 10μF,6.3V		C3513	NCBA1CK-103W	CAPACITOR 0.01μF,16V
	C3108	NCFA1AZ-104W	CAPACITOR 0.1μF,10V		C3514	NBE90JM-106X	T CAPACITOR 10μF,6.3V
	C3109	NCFA1AZ-104W	CAPACITOR 0.1μF,10V		C3515	NDCA1HJ-220W	CAPACITOR 22pF,50V
	C3201	NBE20JM-106X	T CAPACITOR 10μF,6.3V		C3516	NCBA1CK-103W	CAPACITOR 0.01μF,16V
	C3202	NCB30JK-105X	CAPACITOR 1μF,6.3V		C3517	NCBA1CK-103W	CAPACITOR 0.01μF,16V
	C3203	NBE20JM-106X	T CAPACITOR 10μF,6.3V		C3518	NDCA1HJ-330W	CAPACITOR 33pF,50V
	C3205	NCFA1AZ-104W	CAPACITOR 0.1μF,10V		C3519	NBE90JM-106X	T CAPACITOR 10μF,6.3V
	C3206	NCFA1AZ-104W	CAPACITOR 0.1μF,10V		C3520	NCBA1HK-152W	CAPACITOR 0.0015μF,50V
	C3207	NCFA1AZ-104W	CAPACITOR 0.1μF,10V		C3521	NCBA1HK-122W	CAPACITOR 0.0012μF,50V
	C3208	NCFA1AZ-104W	CAPACITOR 0.1μF,10V		C3522	NCBA1CK-103W	CAPACITOR 0.01μF,16V
	C3209	NCBA1AK-104W	CAPACITOR 0.1μF,10V		C3523	NCBA1CK-103W	CAPACITOR 0.01μF,16V
	C3210	NCFA1AZ-104W	CAPACITOR 0.1μF,10V		C3524	NDCA1HJ-470W	CAPACITOR 47pF,50V
	C3211	NCFA1AZ-104W	CAPACITOR 0.1μF,10V		C3525	NCBA1HK-681W	CAPACITOR 680pF,50V
	C3212	NCFA1AZ-104W	CAPACITOR 0.1μF,10V		C3526	NBE90JM-106X	T CAPACITOR 10μF,6.3V
	C3213	NCBA1CK-103W	CAPACITOR 0.01μF,16V		C3527	NBE90JM-106X	T CAPACITOR 10μF,6.3V
	C3214	NCBA1AK-104W	CAPACITOR 0.1μF,10V		C3528	NBE90JM-106X	T CAPACITOR 10μF,6.3V
	C3215	NCFA1AZ-104W	CAPACITOR 0.1μF,10V		C3529	NCBA1AK-104W	CAPACITOR 0.1μF,10V
	C3216	NCFA1AZ-104W	CAPACITOR 0.1μF,10V		C3551	NBE40JM-476X	T CAPACITOR 47μF,6.3V
	C3217	NCFA1AZ-104W	CAPACITOR 0.1μF,10V		C3552	NCBA1CK-103W	CAPACITOR 0.01μF,16V
	C3221	NCBA1CK-103W	CAPACITOR 0.01μF,16V		C3701	NBE20JM-106X	T CAPACITOR 10μF,6.3V
	C3222	NCBA1CK-103W	CAPACITOR 0.01μF,16V		C3702	NDCA1HJ-151W	CAPACITOR 150pF,50V
	C3301	NCB30JK-105X	CAPACITOR 1μF,6.3V		C3703	NDCA1HJ-330W	CAPACITOR 33pF,50V
	C3302	NBE20JM-106X	T CAPACITOR 10μF,6.3V		C3704	NDCA1HJ-101W	CAPACITOR 100pF,50V
	C3303	NBE20JM-106X	T CAPACITOR 10μF,6.3V		C3705	NDCA1HJ-330W	CAPACITOR 33pF,50V
	C3304	NCB30JK-105X	CAPACITOR 1μF,6.3V		C3706	NCBA1CK-103W	CAPACITOR 0.01μF,16V
	C3305	NCBA1CK-103W	CAPACITOR 0.01μF,16V		C3707	NCFA1AZ-104W	CAPACITOR 0.1μF,10V
	C3306	NCBA1CK-103W	CAPACITOR 0.01μF,16V		C3708	NCB30JK-105X	CAPACITOR 1μF,6.3V
	C3308	NCBA1CK-103W	CAPACITOR 0.01μF,16V		C3709	NCBA1CK-103W	CAPACITOR 0.01μF,16V
	C3309	NCBA1HK-102W	CAPACITOR 0.001μF,50V		C3710	NCBA1CK-103W	CAPACITOR 0.01μF,16V
	C3310	NDCA1HJ-151W	CAPACITOR 150pF,50V		C3711	NBE20GM-226X	T CAPACITOR 22μF,4.0V
	C3311	NCBA1CK-103W	CAPACITOR 0.01μF,16V		C3712	NBE40GM-107X	T CAPACITOR 100μF,4.0V
	C3312	NCBA1CK-103W	CAPACITOR 0.01μF,16V		C3713	NEA70GM-337X	E CAPACITOR 330μF,4.0V
	C3313	NCBA1AK-104W	CAPACITOR 0.1μF,10V		C4201	NBE40GM-107X	T CAPACITOR 100μF,4.0V
	C3314	NCBA1CK-103W	CAPACITOR 0.01μF,16V		C4202	NCBA1AK-104W	CAPACITOR 0.1μF,10V
	C3315	NCBA1CK-103W	CAPACITOR 0.01μF,16V		C4203	NCB30JK-105X	CAPACITOR 1μF,6.3V
	C3316	NCB20JK-225X	CAPACITOR 2.2μF,6.3V		C4204	NCBA1AK-104W	CAPACITOR 0.1μF,10V
	C3317	NCBA1AK-104W	CAPACITOR 0.1μF,10V		C4205	NCBA1AK-104W	CAPACITOR 0.1μF,10V

#	△ REF No.	PART No.	PART NAME, DESCRIPTION	#	△ REF No.	PART No.	PART NAME, DESCRIPTION
C4206		NCB21CK-105X	CAPACITOR 1μF,16V	C4810		NCBA1CK-103W	CAPACITOR 0.01μF,16V
C4207		NCBA1AK-104W	CAPACITOR 0.1μF,10V	C4811		NCBA1CK-103W	CAPACITOR 0.01μF,16V
C4208		NCBA1HK-392W	CAPACITOR 0.0039μF,50V	C4812		NCFA1AZ-104W	CAPACITOR 0.1μF,10V
C4209		NCB30JK-105X	CAPACITOR 1μF,6.3V	C4813		NCFA1AZ-104W	CAPACITOR 0.1μF,10V
C4210		NCBA1AK-104W	CAPACITOR 0.1μF,10V	C4814		NCFA1AZ-104W	CAPACITOR 0.1μF,10V
C4211		NCBA1AK-104W	CAPACITOR 0.1μF,10V	C4815		NCB31HK-152X	CAPACITOR 0.0015μF,50V
C4212		NCBA1AK-104W	CAPACITOR 0.1μF,10V	C4819		NCB31CK-104X	CAPACITOR 0.1μF,16V
C4213		NCBA1AK-104W	CAPACITOR 0.1μF,10V	C4851		NBE20JM-106X	T CAPACITOR 10μF,6.3V
C4214		NCBA1AK-104W	CAPACITOR 0.1μF,10V	C4852		NCFA1AZ-104W	CAPACITOR 0.1μF,10V
C4215		NCBA1AK-104W	CAPACITOR 0.1μF,10V	C4853		NBE21AM-335X	T CAPACITOR 3.3μF,10V
C4216		NCBA1AK-104W	CAPACITOR 0.1μF,10V	C4854		NBE21AM-106X	T CAPACITOR 10μF,10V
C4301		NCBA1AK-104W	CAPACITOR 0.1μF,10V	C4855		NCB31CK-104X	CAPACITOR 0.1μF,16V
C4303		NCBA1AK-104W	CAPACITOR 0.1μF,10V	C4858		NDCA1HJ-330W	CAPACITOR 33pF,50V
C4304		NCBA1AK-104W	CAPACITOR 0.1μF,10V	C4859		NCBA1HK-102W	CAPACITOR 0.001μF,50V
C4305		NBE20JM-106X	T CAPACITOR 10μF,6.3V	C4860		NCBA1HK-102W	CAPACITOR 0.001μF,50V
C4306		NCBA1AK-104W	CAPACITOR 0.1μF,10V	C4861		NCBA1HK-102W	CAPACITOR 0.001μF,50V
C4307		NBE20JM-106X	T CAPACITOR 10μF,6.3V	C4862		NCBA1HK-102W	CAPACITOR 0.001μF,50V
C4308		NCBA1AK-104W	CAPACITOR 0.1μF,10V	C4864		NBE20JM-106X	T CAPACITOR 10μF,6.3V
C4309		NCBA1AK-104W	CAPACITOR 0.1μF,10V	C4865		NCBA1AK-104W	CAPACITOR 0.1μF,10V
C4310		NBE20JM-106X	T CAPACITOR 10μF,6.3V	C5501		NCBA1AK-104W	CAPACITOR 0.1μF,10V
C4311		NCB30JK-105X	CAPACITOR 1μF,6.3V	C5503		NCBA1AK-104W	CAPACITOR 0.1μF,10V
C4312		NCBA1AK-104W	CAPACITOR 0.1μF,10V	C5504		NCBA1AK-104W	CAPACITOR 0.1μF,10V
C4313		NBE20JM-226X	T CAPACITOR 22μF,6.3V	C5505		NCBA1AK-104W	CAPACITOR 0.1μF,10V
C4314		NCBA1AK-104W	CAPACITOR 0.1μF,10V	C5506		NBE40GM-476X	T CAPACITOR 47μF,4.0V
C4315		NBE20JM-106X	T CAPACITOR 10μF,6.3V	C5507		NCBA1AK-104W	CAPACITOR 0.1μF,10V
C4317		NCBA1AK-104W	CAPACITOR 0.1μF,10V	C5508		NCBA1AK-104W	CAPACITOR 0.1μF,10V
C4318		NCBA1AK-104W	CAPACITOR 0.1μF,10V	C5509		NCBA1AK-104W	CAPACITOR 0.1μF,10V
C4319		NCBA1AK-104W	CAPACITOR 0.1μF,10V	C5510		NBP21VM-105X	T CAPACITOR 1μF,35V
C4320		NCBA1AK-104W	CAPACITOR 0.1μF,10V	C5511		NBP21DM-475X	T CAPACITOR 4.7μF,20V
C4321		NCBA1AK-104W	CAPACITOR 0.1μF,10V	C5512		NBE21AM-106X	T CAPACITOR 10μF,10V
C4323		NCBA1AK-104W	CAPACITOR 0.1μF,10V	C5513		NCB31CK-104X	CAPACITOR 0.1μF,16V
C4324		NBE20JM-106X	T CAPACITOR 10μF,6.3V	C5514		NCBA1AK-104W	CAPACITOR 0.1μF,10V
C4325		NCBA1AK-104W	CAPACITOR 0.1μF,10V	C5515		NCBA1AK-104W	CAPACITOR 0.1μF,10V
C4327		NCBA1AK-104W	CAPACITOR 0.1μF,10V	C5516		NCBA1AK-104W	CAPACITOR 0.1μF,10V
C4328		NCBA1AK-104W	CAPACITOR 0.1μF,10V	C5517		NCB31CK-104X	CAPACITOR 0.1μF,16V
C4329		NCBA1AK-104W	CAPACITOR 0.1μF,10V	C5518		NCBA1AK-104W	CAPACITOR 0.1μF,10V
C4330		NCBA1AK-104W	CAPACITOR 0.1μF,10V	C5519		NCBA1AK-104W	CAPACITOR 0.1μF,10V
C4331		NBE20JM-106X	T CAPACITOR 10μF,6.3V	C5520		NCBA1CK-103W	CAPACITOR 0.01μF,16V
C4332		NCBA1AK-104W	CAPACITOR 0.1μF,10V	C6001		NCBA1CK-103W	CAPACITOR 0.01μF,16V
C4333		NCBA1AK-104W	CAPACITOR 0.1μF,10V	C6004		NCB21CK-105X	CAPACITOR 1μF,16V
C4334		NCBA1AK-104W	CAPACITOR 0.1μF,10V	C6005		NDCA1HJ-101W	CAPACITOR 100pF,50V
C4335		NCBA1AK-104W	CAPACITOR 0.1μF,10V	C6101		NCB21CK-105X	CAPACITOR 1μF,16V
C4336		NCBA1AK-104W	CAPACITOR 0.1μF,10V	C6102		NEA71CM-106X	E CAPACITOR 10μF,16V
C4337		NCBA1AK-104W	CAPACITOR 0.1μF,10V	C6103		NCB21CK-105X	CAPACITOR 1μF,16V
C4338		NCBA1AK-104W	CAPACITOR 0.1μF,10V	C6105		NCB21CK-105X	CAPACITOR 1μF,16V
C4339		NCBA1AK-104W	CAPACITOR 0.1μF,10V	C6106		NCB21CK-105X	CAPACITOR 1μF,16V
C4340		NCBA1AK-104W	CAPACITOR 0.1μF,10V	C6107		NCB21CK-105X	CAPACITOR 1μF,16V
C4341		NCBA1AK-104W	CAPACITOR 0.1μF,10V	C6108		NCB21CK-105X	CAPACITOR 1μF,16V
C4342		NCBA1AK-104W	CAPACITOR 0.1μF,10V	C6109		NCB21CK-105X	CAPACITOR 1μF,16V
C4343		NCBA1AK-104W	CAPACITOR 0.1μF,10V	C6110		NCBA1AK-104W	CAPACITOR 0.1μF,10V
C4344		NCBA1AK-104W	CAPACITOR 0.1μF,10V	C6111		NCBA1AK-104W	CAPACITOR 0.1μF,10V
C4345		NCBA1AK-104W	CAPACITOR 0.1μF,10V	C6112		NCBA1AK-333W	CAPACITOR 0.033μF,10V
C4346		NCBA1AK-104W	CAPACITOR 0.1μF,10V	C6113		NCBA1HK-561W	CAPACITOR 560pF,50V
C4347		NCBA1AK-104W	CAPACITOR 0.1μF,10V	C6114		NCBA1HK-272W	CAPACITOR 0.0027μF,50V
C4348		NCBA1AK-104W	CAPACITOR 0.1μF,10V	C6115		NCBA1HK-561W	CAPACITOR 560pF,50V
C4349		NCBA1AK-104W	CAPACITOR 0.1μF,10V	C6116		NCBA1CK-103W	CAPACITOR 0.01μF,16V
C4350		NCBA1AK-104W	CAPACITOR 0.1μF,10V	C6117		NCBA1AK-104W	CAPACITOR 0.1μF,10V
C4803		NBE20JM-106X	T CAPACITOR 10μF,6.3V	C6118		NCBA1AK-104W	CAPACITOR 0.1μF,10V
C4804		NCFA1AZ-104W	CAPACITOR 0.1μF,10V	C6119		NDCA1HJ-101W	CAPACITOR 100pF,50V
C4805		NCFA1AZ-104W	CAPACITOR 0.1μF,10V	C6120		NCB11CK-105X	CAPACITOR 1μF,16V
C4806		NCFA1AZ-104W	CAPACITOR 0.1μF,10V	C6121		NCB31CK-104X	CAPACITOR 0.1μF,16V
C4808		NCB30JK-105X	CAPACITOR 1μF,6.3V	C6122		NCBA1CK-223W	CAPACITOR 0.022μF,16V
C4809		NCFA1AZ-104W	CAPACITOR 0.1μF,10V	C6123		NCBA1CK-103W	CAPACITOR 0.01μF,16V

#	△ REF No.	PART No.	PART NAME, DESCRIPTION	#	△ REF No.	PART No.	PART NAME, DESCRIPTION
C6124		NCBA1CK-103W	CAPACITOR 0.01μF,16V	L3303		NQL04DK-100X	COIL 10μH
C6125		NCBA1CK-103W	CAPACITOR 0.01μF,16V	L3304		NQR0006-001X	FERRITE BEAD
C6126		NCBA1CK-103W	CAPACITOR 0.01μF,16V	L3501		NQL04DK-220X	COIL 22μH
C6127		NCBA1HK-102W	CAPACITOR 0.001μF,50V	L3502		NQL04DK-220X	COIL 22μH
C6128		NCB21CK-105X	CAPACITOR 1μF,16V	L3503		NQL302N-100X	COIL 10μH
C6129		NCBA1HK-561W	CAPACITOR 560pF,50V	L3504		NQL302N-100X	COIL 10μH
C6130		NCBA1AK-104W	CAPACITOR 0.1μF,10V	L3505		NQL38DK-100X	COIL 10μH
C6131		NCBA1AK-104W	CAPACITOR 0.1μF,10V	L3551		NQR0006-001X	FERRITE BEAD
C6132		NCBA1AK-104W	CAPACITOR 0.1μF,10V	L3701		NQL315K-100X	COIL 10μH
C6133		NCBA1AK-104W	CAPACITOR 0.1μF,10V	L4201		NQR0129-002X	FERRITE BEAD
C6134		NCBA1AK-104W	CAPACITOR 0.1μF,10V	L4301		NQR0129-002X	FERRITE BEAD
C6201		NCB21CK-105X	CAPACITOR 1μF,16V	L4302		NQR0129-002X	FERRITE BEAD
C6202		NCB10JK-106X	CAPACITOR 10μF,6.3V	L4303		NQL315K-100X	COIL 10μH
C6203		NCBA1HK-102W	CAPACITOR 0.001μF,50V	L4304		NQL315K-220X	COIL 22μH
C6204		NCBA1HK-561W	CAPACITOR 560pF,50V	L4305		NQR0129-002X	FERRITE BEAD
C6205		NCB21CK-105X	CAPACITOR 1μF,16V	L4306		NQR0129-002X	FERRITE BEAD
C6206		NCB21CK-105X	CAPACITOR 1μF,16V	L4307		NQL315K-100X	COIL 10μH
C6207		NCB10JK-106X	CAPACITOR 10μF,6.3V	L4802		NQL302N-100X	COIL 10μH
C6208		NCBA1EK-472W	CAPACITOR 0.0047μF,25V	L4851		NQR0129-002X	FERRITE BEAD
C6209		NCB21CK-105X	CAPACITOR 1μF,16V	L4852		NQL315K-100X	COIL 10μH
C6210		NCB10JK-106X	CAPACITOR 10μF,6.3V	L4853		NQL315K-100X	COIL 10μH
C6211		NCBA1HK-102W	CAPACITOR 0.001μF,50V	L5501		NQL315K-100X	COIL 10μH
C6213		NCB11EK-105X	CAPACITOR 1μF,25V	L5502		NQR0129-002X	FERRITE BEAD
C6214		NCB21CK-105X	CAPACITOR 1μF,16V	L5503		NQR0129-002X	FERRITE BEAD
C6215		NCB21CK-105X	CAPACITOR 1μF,16V	L5504		NQR0129-002X	FERRITE BEAD
C6216		NCBA1AK-683W	CAPACITOR 0.068μF,10V	L5505		NQL315K-100X	COIL 10μH
C6217		NCB21CK-105X	CAPACITOR 1μF,16V	L5506		NQL315K-100X	COIL 10μH
C6218		NCB21CK-105X	CAPACITOR 1μF,16V	L6101		NQLZ011-4R7X	COIL 4.7μH
C6219		NCB21CK-224X	CAPACITOR 0.22μF,16V	L6102		NQLZ011-4R7X	COIL 4.7μH
C6220		NCB21CK-105X	CAPACITOR 1μF,16V	L6201		NQLZ011-390X	COIL 39μH
C6221		NCB11EK-105X	CAPACITOR 1μF,25V	L6202		NQLZ011-390X	COIL 39μH
C6222		NCB11EK-105X	CAPACITOR 1μF,25V	L6203		NQLZ011-390X	COIL 39μH
C6224		NCBA1HK-102W	CAPACITOR 0.001μF,50V	L6204		NQL144K-220X	COIL 22μH
C6225		NCBA1CK-103W	CAPACITOR 0.01μF,16V	L6205		NQL35BK-100X	COIL 10μH
C6226		NCB21CK-105X	CAPACITOR 1μF,16V	L6206		NQLZ011-470X	COIL 47μH
C6227		NCB11EK-105X	CAPACITOR 1μF,25V	L6207		NQLZ011-470X	COIL 47μH
C6228		NCB11EK-105X	CAPACITOR 1μF,25V	L6208		NQLZ011-221X	COIL 220μH
C6230		NCB21CK-105X	CAPACITOR 1μF,16V	L6209		NQL144K-221X	COIL 220μH
C6231		NCBA1CK-103W	CAPACITOR 0.01μF,16V	L6210		NQL144K-220X	COIL 220μH
C6701		NCB21CK-105X	CAPACITOR 1μF,16V	L6701		NQLZ007-100X	COIL 10μH
C6703		NCB11CK-105X	CAPACITOR 1μF,16V	X1001		NAX0474-001X	C OSCILLATOR
L1001		NQL315K-100X	COIL 10μH	X1002		NAX0325-001X	CRYSTAL RESONATOR
L1002		NQL315K-100X	COIL 10μH	X3001		NAX0480-001X	CRYSTAL RESONATOR
L1401		NQR0006-001X	FERRITE BEAD	X3301		NAX0296-001X	C OSCILLATOR
L1402		NRSA02J-0R0X	MG RESISTOR 0Ω,1/10W	X5501		NAX0356-001X	CXO
L2001		NQL315K-100X	COIL 10μH	WR1		WJT0045-001A	E-CARD WIRE,CN103-JACK CN502
L2002		NQL38DK-220X	COIL 22μH	WR2		WJJ0206-001A	E-SI C WIRE C-C,CN104-REAR UNIT
L2201		NRSA63J-0R0X	MG RESISTOR 0Ω,1/16W	J101		NNZ0041-001X	D CONNECTOR
L2202		NRSA63J-0R0X	MG RESISTOR 0Ω,1/16W	CN101		QGF0508F1-40X	FPC CONNECTOR
L2203		NRSA63J-0R0X	MG RESISTOR 0Ω,1/16W	CN102		QGA1002F1-09X	CONNECTOR
L2301		NQL402M-100X	COIL 10μH	CN103		QGF0505F2-14X	FPC CONNECTOR
L3001		NQR0129-002X	FERRITE BEAD	CN104		QGA1002C1-10X	CONNECTOR
L3002		NQR0129-002X	FERRITE BEAD	CN105		QGB0801K2-20X	CONNECTOR
L3005		NQR0006-001X	FERRITE BEAD	CN106		QGA1201F2-03X	CONNECTOR
L3101		NQR0269-017X	FERRITE BEAD	CN107		QGF0507F3-20X	FFC/FPC CONNECTOR
L3102		NQR0269-017X	FERRITE BEAD	CN108		QGF0507F3-24X	FFC/FPC CONNECTOR
L3103		NQR0384-003X	COIL	CN109		QGF0507F3-15X	FFC/FPC CONNECTOR
L3104		NQR0384-003X	COIL	CN110		QGF0513F1-08X	FPC CONNECTOR
L3201		NQR0006-001X	FERRITE BEAD	CN111		QGF0503C1-06V	FFC/FPC CONNECTOR
L3202		NQR0129-002X	FERRITE BEAD	CN112		QGF0505F2-18X	FPC CONNECTOR
L3203		NQR0129-002X	FERRITE BEAD	CN113		QGF0508F1-34X	FPC CONNECTOR
L3301		NQR0006-001X	FERRITE BEAD	△ F6101		NMFZ007-2R0X-K	FUSE T2.0A
L3302		NQL04DK-100X	COIL 10μH	OT1		LY43017-001A	SHIELD SHEET
				SD1		LY32080-001A	SHIELD CASE

#	△ REF No.	PART No.	PART NAME, DESCRIPTION

MONITOR BOARD ASSEMBLY <02>			
PW1		YB10324M1-03	MONITOR BOARD ASSY,C
		YB10326I-01	MONITOR BOARD ASSY,A,B
IC7101		MM1385EN	IC
IC7601		AN2540FHQ	IC
IC7602		BA15532F	IC
IC7603		X25057M8-2.7-X	IC
IC7604		SN74LV08APW	IC
Q7101		2SA1774/QR/-X	TRANSISTOR,A,B
		or 2SA1832/YG/-X	TRANSISTOR,A,B
Q7601		2SC4617/QR/-X	TRANSISTOR
		or 2SC4738/YG/-X	TRANSISTOR
Q7602		2SA1774/QR/-X	TRANSISTOR
		or 2SA1832/YG/-X	TRANSISTOR
Q7603		2SC4617/QR/-X	TRANSISTOR
		or 2SC4738/YG/-X	TRANSISTOR
Q7604		2SA1774/QR/-X	TRANSISTOR
		or 2SA1832/YG/-X	TRANSISTOR
Q7605		DTA144EE	DIGI TRANSISTOR,C
		or RN2104	DIGI TRANSISTOR,C
		or UN9113J	DIGI TRANSISTOR,C
Q7606		DTC144EE	DIGI TRANSISTOR,C
		or RN1104	DIGI TRANSISTOR,C
		or UN9213J	DIGI TRANSISTOR,C
Q7607		UMZ1N	PAIR TRANSISTOR,C
Q7608		DTC144EE	DIGI TRANSISTOR
		or RN1104	DIGI TRANSISTOR
		or UN9213J	DIGI TRANSISTOR
Q7609		DTC144EE	DIGI TRANSISTOR
		or RN1104	DIGI TRANSISTOR
		or UN9213J	DIGI TRANSISTOR
Q7610		DTA144EE	DIGI TRANSISTOR
		or UN9113J	DIGI TRANSISTOR
		or RN2104	DIGI TRANSISTOR
D1		SML-110LT-X	LE DIODE
D7601		RB471E	SB DIODE
R1		NRSA63J-103X	MG RESISTOR 10kΩ,1/16W
R2		NRSA63J-103X	MG RESISTOR 10kΩ,1/16W
R3		NRSA63J-103X	MG RESISTOR 10kΩ,1/16W
R4		NRSA63J-152X	MG RESISTOR 1.5kΩ,1/16W
R5		NRSA63J-182X	MG RESISTOR 1.8kΩ,1/16W
R6		NRSA63J-272X	MG RESISTOR 2.7kΩ,1/16W
R7101		NRSA63J-562X	MG RESISTOR,A,B 5.6kΩ,1/16W
R7102		NRSA63J-562X	MG RESISTOR,A,B 5.6kΩ,1/16W
R7103		NRSA63J-103X	MG RESISTOR,A,B 10kΩ,1/16W
R7104		NRSA63J-0R0X	MG RESISTOR 0Ω,1/16W
R7110		NRSA63J-0R0X	MG RESISTOR,A,B 0Ω,1/16W
R7111		NRSA63J-0R0X	MG RESISTOR,A,B 0Ω,1/16W
R7112		NRSA63J-0R0X	MG RESISTOR,A,B 0Ω,1/16W
R7113		NRSA63J-0R0X	MG RESISTOR,A,B 0Ω,1/16W
R7114		NRSA63J-0R0X	MG RESISTOR,A,B 0Ω,1/16W
R7115		NRSA63J-0R0X	MG RESISTOR,A,B 0Ω,1/16W
R7601		NRVA63D-622X	CMF RESISTOR 6.2kΩ,1/16W
R7602		NRSA63J-153X	MG RESISTOR 15kΩ,1/16W
R7603		NRSA63J-683X	MG RESISTOR 68kΩ,1/16W
R7608		NRSA63J-153X	MG RESISTOR 15kΩ,1/16W
R7609		NRVA63D-223X	CMF RESISTOR 22kΩ,1/16W
R7610		NRVA63D-433X	CMF RESISTOR 43kΩ,1/16W
R7611		NRVA63D-821X	CMF RESISTOR 820Ω,1/16W
R7612		NRVA63D-682X	CMF RESISTOR,C 6.8kΩ,1/16W

#	△ REF No.	PART No.	PART NAME, DESCRIPTION
		NRVA63D-223X	CMF RESISTOR,A,B 22kΩ,1/16W
R7613		NRVA63D-223X	CMF RESISTOR 22kΩ,1/16W
R7614		NRVA63D-223X	CMF RESISTOR 22kΩ,1/16W
R7615		NRSA63J-223X	MG RESISTOR 22kΩ,1/16W
R7616		NRSA63J-223X	MG RESISTOR 22kΩ,1/16W
R7617		NRSA02J-561X	MG RESISTOR 560Ω,1/10W
R7618		NRSA02J-561X	MG RESISTOR 560Ω,1/10W
R7621		NRSA63J-0R0X	MG RESISTOR,A,B 0Ω,1/16W
R7622		NRSA63J-223X	MG RESISTOR,C 22kΩ,1/16W
R7623		NRSA63J-223X	MG RESISTOR,C 22kΩ,1/16W
R7624		NRVA63D-223X	CMF RESISTOR,C 22kΩ,1/16W
R7625		NRVA63D-223X	CMF RESISTOR,C 22kΩ,1/16W
R7626		NRVA63D-183X	CMF RESISTOR,C 18kΩ,1/16W
R7627		NRVA63D-334X	CMF RESISTOR,C 330kΩ,1/16W
R7628		NRSA63J-224X	MG RESISTOR,C 220kΩ,1/16W
R7629		NRSA63J-393X	MG RESISTOR,C 39kΩ,1/16W
R7630		NRSA63J-223X	MG RESISTOR 22kΩ,1/16W
R7631		NRSA63J-335X	MG RESISTOR 3.3MΩ,1/16W
R7633		NRSA63J-103X	MG RESISTOR 10kΩ,1/16W
R7634		NRSA63J-0R0X	MG RESISTOR 0Ω,1/16W
R7640		NRSA63J-0R0X	MG RESISTOR,C 0Ω,1/16W
R7641		NRSA63J-0R0X	MG RESISTOR,C 0Ω,1/16W
R7642		NRSA63J-0R0X	MG RESISTOR,C 0Ω,1/16W
R7643		NRSA63J-0R0X	MG RESISTOR,C 0Ω,1/16W
R7644		NRSA63J-0R0X	MG RESISTOR,C 0Ω,1/16W
R7645		NRSA63J-0R0X	MG RESISTOR,C 0Ω,1/16W
R7646		NRSA63J-0R0X	MG RESISTOR,C 0Ω,1/16W
C1		NCB31EK-103X	CAPACITOR 0.01μF,25V
C7101		NCF31CZ-104X	CAPACITOR 0.1μF,16V
C7102		NCB31HK-103X	CAPACITOR 0.01μF,50V
C7103		NBE20JM-475X	T CAPACITOR 4.7μF,6.3V
C7601		NCB21CK-105X	CAPACITOR 1μF,16V
C7602		NCB31EK-103X	CAPACITOR 0.01μF,25V
C7603		NCB11CK-225X	CAPACITOR 2.2μF,16V
C7604		NCB11CK-225X	CAPACITOR 2.2μF,16V
C7605		NCB11CK-225X	CAPACITOR 2.2μF,16V
C7606		NCB31CK-104X	CAPACITOR 0.1μF,16V
C7607		NBP41CM-106X	T CAPACITOR 10μF,16V
C7608		NCB31EK-103X	CAPACITOR 0.01μF,25V
C7609		NCB31CK-104X	CAPACITOR 0.1μF,16V
C7610		NCB11CK-225X	CAPACITOR 2.2μF,16V
C7611		NCB11CK-225X	CAPACITOR 2.2μF,16V
C7612		NCB11CK-225X	CAPACITOR 2.2μF,16V
C7613		NCB11CK-225X	CAPACITOR 2.2μF,16V
C7614		NCB31HK-152X	CAPACITOR 0.0015μF,50V
C7615		NCB31EK-103X	CAPACITOR 0.01μF,25V
C7616		NCB31EK-103X	CAPACITOR 0.01μF,25V
C7617		NCB31EK-103X	CAPACITOR 0.01μF,25V
C7618		NCB10JK-106X	CAPACITOR 10μF,6.3V
C7619		NCB10JK-106X	CAPACITOR 10μF,6.3V
C7620		NCB31EK-103X	CAPACITOR 0.01μF,25V
C7621		NCB21CK-105X	CAPACITOR 1μF,16V
C7622		NCB21CK-105X	CAPACITOR 1μF,16V
C7623		NBE21AM-106X	T CAPACITOR 10μF,10V
C7624		NCB31EK-103X	CAPACITOR 0.01μF,25V
C7626		NCB31CK-104X	CAPACITOR 0.1μF,16V
C7627		NCF31CZ-104X	CAPACITOR 0.1μF,16V
C7628		NBP41EM-475X	T CAPACITOR 4.7μF,25V
C7629		NBP21CM-335X	T CAPACITOR 3.3μF,16V
C7630		NBP41EM-475X	T CAPACITOR 4.7μF,25V
C7631		NCB31EK-103X	CAPACITOR 0.01μF,25V
C7632		NBP41EM-475X	T CAPACITOR 4.7μF,25V
C7633		NCB31EK-103X	CAPACITOR 0.01μF,25V

#	△ REF No.	PART No.	PART NAME, DESCRIPTION	
C7634		NCB10JK-106X	CAPACITOR	10μF,6.3V
C7635		NCB31EK-103X	CAPACITOR	0.01μF,25V
C7636		NCF31CZ-104X	CAPACITOR,C	0.1μF,16V
C7637		NCB31EK-103X	CAPACITOR	0.01μF,25V
C7638		NCB21AK-225X	CAPACITOR,C	2.2μF,10V
C7639		NBE21AM-106X	T CAPACITOR,C	10μF,10V
C7640		NCB31EK-103X	CAPACITOR	0.01μF,25V
C7642		NCF31CZ-104X	CAPACITOR	0.1μF,16V
L7601		NQL315K-100X	COIL	10μH
L7602		NQL315K-100X	COIL	10μH
L7604		NQL315K-100X	COIL	10μH
L7605		NQL315K-100X	COIL,A,B	10μH
L7606		NQL315K-100X	COIL,C	10μH
L7607		NQL315K-100X	COIL	10μH
SW1		NSW0092-001X	SLIDE SWITCH,LIGHT SW	
SW2		NSW0008-001X	TACT SWITCH,STOP	
SW3		NSW0008-001X	TACT SWITCH,REW	
SW4		NSW0008-001X	TACT SWITCH,FF	
SW5		NSW0008-001X	TACT SWITCH,PLAY/PAUSE	
SW7601		NSW0105-001X	DETECT SWITCH,OPEN	
△ BT1		QAB0025-001	LI BATTERY	
CN761		QGF0508F1-40X	FPC CONNECTOR	
CN763		QGF0507F3-20X	FFC/FPC CONNECTOR	
CN764		QGF0305F1-33X	FPC CONNECTOR	
CN765		QGA1201F2-02X	CONNECTOR	
OT1		LY43043-001B	SHIELD SHEET	
OT2		LY43119-001A	SHIELD SHEET,A,B	

LCD BL BOARD ASSEMBLY <03>

PW2	YB10324A2-02	LCD BL BOARD ASSY,C	
	YB10325B	LCD BL BOARD ASSY,A,B	
IC751	MIP805	IC,C	
Q7501	2SC3647/ST/-X	POW TRANSISTOR	
Q7502	2SC3647/ST/-X	POW TRANSISTOR	
Q7503	DTA144EE	DIGI TRANSISTOR	
	or RN2104	DIGI TRANSISTOR	
	or UN9113J	DIGI TRANSISTOR	
Q7504	2SC4617/QR/-X	TRANSISTOR	
	or 2SC4738/YG/-X	TRANSISTOR	
D751	1SS376	DIODE,C	
R751	NRSA63J-104X	MG RESISTOR,C	100kΩ,1/16W
R7501	NRSA63J-102X	MG RESISTOR	1kΩ,1/16W
R7502	NRSA63J-102X	MG RESISTOR	1kΩ,1/16W
R7503	NRSA63J-102X	MG RESISTOR	1kΩ,1/16W
R7506	NRSA63J-473X	MG RESISTOR	47kΩ,1/16W
R7507	NRSA63J-473X	MG RESISTOR	47kΩ,1/16W
C751	NBE20JM-106X	T CAPACITOR,C	10μF,6.3V
C752	NBE20JM-106X	T CAPACITOR,C	10μF,6.3V
C753	NCB31HK-222X	CAPACITOR,C	0.0022μF,50V
C754	NCB31HK-222X	CAPACITOR,C	0.0022μF,50V
C7501	NCZ1016-120X	CAPACITOR	12pF
C7503	NFV41HJ-223X	MPPS CAPACITOR	0.022μF,50V
C7504	NCB31EK-103X	CAPACITOR	0.01μF,25V
C7505	NBE20JM-226X	T CAPACITOR	22μF,6.3V
L751	NQLZ011-681X	COIL,C	680μH
L752	NQL315K-100X	COIL,C	10μH
L7501	NQLZ010-680X	COIL	68μH
L7502	NQLZ010-220X	COIL	22μH

#	△ REF No.	PART No.	PART NAME, DESCRIPTION	
T7501		NQS0048-001X	SW TRANSF	
CN751		QGF0506F2-32X	FPC CONNECTOR	
CN752		QGF0505F1-24X	FPC CONNECTOR	
CN753		QGA5002F1-02X	CONNECTOR	
CN754		QGF0505F2-06X	FPC CONNECTOR,C	
△ F751		NMFZ007-R20X-K	FUSE,C	T0.2A
△ F7501		NMFZ009-R375XJ1	FUSE	T0.37A
OT1		LY41726-001A	PLATE(EARTH)	

CCD BOARD ASSEMBLY <04>

PW	YB10316A-01	CCD BOARD ASSY	
Q5001	2SC3931/CD/-X	TRANSISTOR	
R5001	NRSA02J-472X	MG RESISTOR	4.7kΩ,1/10W
R5002	NRSA02J-0R0X	MG RESISTOR	0Ω,1/10W
R5003	NRSA02J-104X	MG RESISTOR	100kΩ,1/10W
R5004	NRS181J-0R0X	MG RESISTOR	0Ω,1/8W
R5006	NRSA02J-0R0X	MG RESISTOR	0Ω,1/10W
R5007	NRS181J-0R0X	MG RESISTOR	0Ω,1/8W
C5001	NCB21CK-104X	CAPACITOR	0.1μF,16V
C5002	NBP41DM-106X	T CAPACITOR	10μF,20V
C5003	NCB21CK-104X	CAPACITOR	0.1μF,16V
C5004	NBE21AM-106X	T CAPACITOR	10μF,10V
C5005	NCB11EK-104X	CAPACITOR	0.1μF,25V
C5006	NCB21CK-104X	CAPACITOR	0.1μF,16V
C5007	NCB21HK-222X	CAPACITOR	0.0022μF,50V
C5011	NCB21CK-105X	CAPACITOR	1μF,16V
L5001	NQL315K-100X	COIL	10μH

JUNCTION BOARD ASSEMBLY <05>

PW2	YB10314A2-01	JUNCTION BOARD ASSY	
D571	SML-010MT-X	LE DIODE	
SW571	NSW0120-002X	PUSH SWITCH,EJECT SW	
CN571	QGF0508F1-34X	FPC CONNECTOR	
CN572	QGF0507F3-15X	FFC/FPC CONNECTOR	
CN573	QGF0505F2-11X	FPC CONNECTOR	
CN574	QGF0505F2-06X	FPC CONNECTOR	

JACK BOARD ASSEMBLY <06>

PW1	YB10314A1-03	JACK BOARD ASSY	
IC501	BA10358F-XE	IC	
IC502	RS-171-X	IC(PHOTO SENSOR)	
Q501	RPM-22PB	PHOTO TRANSISTOR	
D501	MA8068	ZENER DIODE	
D502	MA8068	ZENER DIODE	
D504	MA8068	ZENER DIODE	
D505	MA8068	ZENER DIODE	

# ▲ REF No.	PART No.	PART NAME, DESCRIPTION	# ▲ REF No.	PART No.	PART NAME, DESCRIPTION
D506	EMZ6.8N	ZENER DIODE			
D507	EMZ6.8N	ZENER DIODE			
D508	EMZ6.8N	ZENER DIODE			
R501	NRSA63J-103X	MG RESISTOR			10kΩ,1/16W
R502	NRSA63J-684X	MG RESISTOR			680kΩ,1/16W
R503	NRSA63J-182X	MG RESISTOR			1.8kΩ,1/16W
R504	NRSA63J-222X	MG RESISTOR			2.2kΩ,1/16W
R505	NRSA63J-103X	MG RESISTOR			10kΩ,1/16W
R506	NRSA63J-824X	MG RESISTOR			820kΩ,1/16W
R507	NRSA63J-104X	MG RESISTOR			100kΩ,1/16W
R508	NRSA63J-683X	MG RESISTOR			68kΩ,1/16W
R509	NRSA63J-822X	MG RESISTOR			8.2kΩ,1/16W
R510	NRSA63J-0R0X	MG RESISTOR			0Ω,1/16W
R511	NRSA63J-302X	MG RESISTOR			3kΩ,1/16W
R512	NRSA63J-470X	MG RESISTOR			47Ω,1/16W
R513	NRSA63J-101X	MG RESISTOR			100Ω,1/16W
R514	NRSA63J-101X	MG RESISTOR			100Ω,1/16W
R515	NRSA63J-0R0X	MG RESISTOR			0Ω,1/16W
R516	NRSA63J-221X	MG RESISTOR			220Ω,1/16W
R517	NRSA63J-331X	MG RESISTOR			330Ω,1/16W
R518	NRSA63J-0R0X	MG RESISTOR			0Ω,1/16W
R519	NRSA63J-331X	MG RESISTOR			330Ω,1/16W
R520	NRSA63J-331X	MG RESISTOR			330Ω,1/16W
R524	NRSA63J-0R0X	MG RESISTOR			0Ω,1/16W
R525	NRSA63J-0R0X	MG RESISTOR			0Ω,1/16W
R526	NRSA63J-0R0X	MG RESISTOR			0Ω,1/16W
R527	NRSA63J-0R0X	MG RESISTOR			0Ω,1/16W
C501	NBE21AM-335X	T CAPACITOR			3.3μF,10V
C502	NCF31CZ-104X	CAPACITOR			0.1μF,16V
C503	NCB31EK-153X	CAPACITOR			0.015μF,25V
C504	NCB31EK-153X	CAPACITOR			0.015μF,25V
C506	NBE21AM-106X	T CAPACITOR			10μF,10V
C509	NBE20JM-226X	T CAPACITOR			22μF,6.3V
C514	NCB31HK-103X	CAPACITOR			0.01μF,50V
C515	NCB31HK-103X	CAPACITOR			0.01μF,50V
L501	NQR0251-004X	FERRITE BEAD			
L502	NQR0251-004X	FERRITE BEAD			
L503	NQR0251-004X	FERRITE BEAD			
HD1	LY32086-001B	HOLDER(J.PWB)			
WR1	WJJ0207-002A	E-SI C WIRE C-C,CN501-MAIN CN102			
J501	QNS0078-001	3.5 JACK			
J502	PEMC1203	MINI JACK			
J503	QND0004-001	S JACK			
J504	QNS0152-001	2.5 JACK			
TL501	YQ43810-1-1	CONTACT(LIGHT)			
TL502	YQ43810-1-1	CONTACT(LIGHT)			
CN501	QGA1002F1-09X	CONNECTOR			
CN502	QGF0507F3-14X	FFC/FPC CONNECTOR			
OT1	LY30018-023A	SPECIAL SCREW,X4			